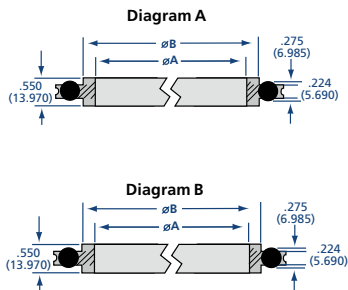
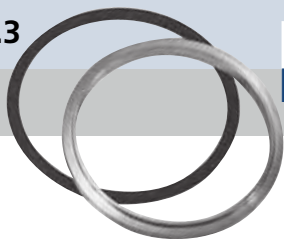


# Flanges & Fittings

## ISO Centering Rings

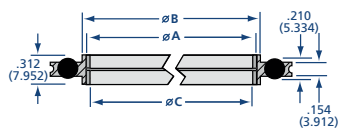


### ISO Stainless Steel Centering Rings with O-ring

MODEL NUMBER	DIAGRAM	O-RING MATERIAL	A	B
ISO-63-CR	A	Viton	2.63 (66.80)	2.74 (69.60)
ISO-80-CR	A	Viton	3.14 (79.76)	3.25 (82.55)
ISO-100-CR	A	Viton	3.89 (98.81)	4.00 (101.60)
ISO-160-CR	A	Viton	5.90 (149.86)	6.01 (152.65)
ISO-200-CR	A	Viton	8.26 (209.80)	8.37 (212.60)
ISO-250-CR	A	Viton	10.14 (254.56)	10.25 (260.35)
ISO-320-CR	B	Viton	12.32 (312.93)	12.52 (318.01)
ISO-400-CR	B	Viton	15.55 (394.97)	15.74 (399.80)

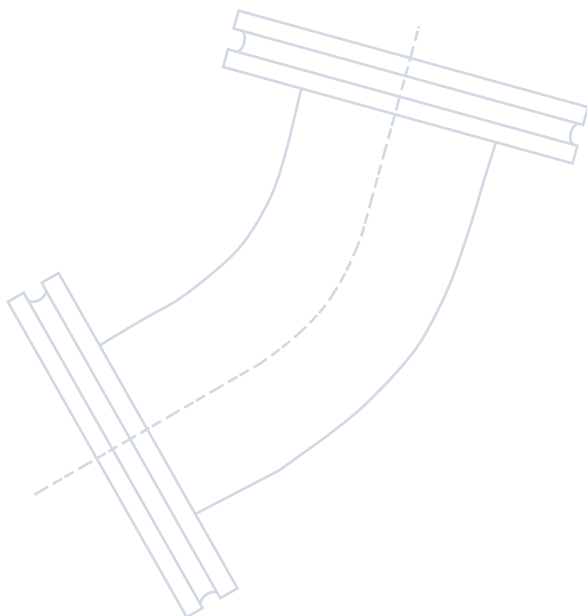
See below for replacement O-rings.

### ISO Screened Stainless Steel Centering Rings with O-ring and Aluminum Spacer Ring



MODEL NUMBER	O-RING MATERIAL	A	B	C	MESH (sq. in.)
ISO-63-CR-SV-16	Viton	2.63 (66.80)	2.74 (69.60)	2.38 (60.45)	16
ISO-80-CR-SV-16	Viton	3.14 (79.76)	3.25 (82.55)	2.87 (72.90)	16
ISO-100-CR-SV-16	Viton	3.89 (98.81)	4.00 (101.60)	3.50 (88.90)	16
ISO-160-CR-SV-16	Viton	5.90 (149.86)	6.01 (152.65)	5.50 (139.70)	16

Includes O-ring. See below for replacement O-rings.



### Viton O-Rings

MODEL NUMBER	FLANGE TYPE
ISO-63-OR-V	ISO-63
ISO-80-OR-V	ISO-80
ISO-100-OR-V	ISO-100
ISO-160-OR-V	ISO-160
ISO-200-OR-V	ISO-200
ISO-250-OR-V	ISO-250
ISO-320-OR-V	ISO-320
ISO-400-OR-V	ISO-400
ISO-500-OR-V	ISO-500

### Buna O-Rings

MODEL NUMBER	FLANGE TYPE
ISO-63-OR-B	ISO-63
ISO-80-OR-B	ISO-80
ISO-100-OR-B	ISO-100
ISO-160-OR-B	ISO-160
ISO-200-OR-B	ISO-200
ISO-250-OR-B	ISO-250
ISO-320-OR-B	ISO-320
ISO-400-OR-B	ISO-400
ISO-500-OR-B	ISO-500



All dimensions are in inches (mm) & weights are in pounds (kg), unless otherwise noted.

See Section 2.1 for metal seals