

Measuring wheels for encoders



MR150GR06

Measuring wheel MR150GR06

Circumference: 150 mm,

Surface finish: O-ring 3,5 mm, material NBR70

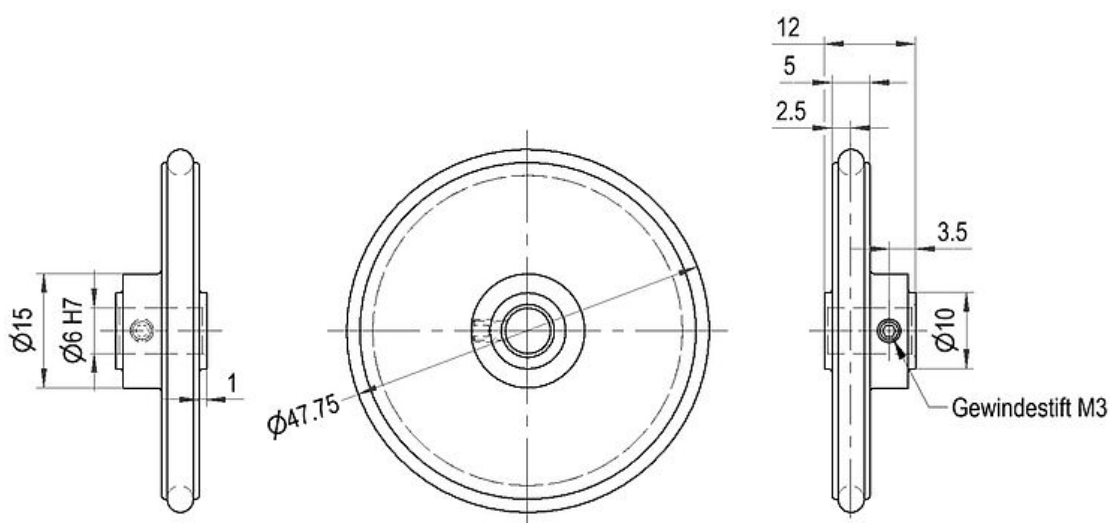
Fields of application: Wood, metal, conveyor belts, paper, textiles.

For encoders with shaft \varnothing 6 mm.

Product data

Circumference	150 mm
Surface finish	NBR70
Hardness/Shore A	70
Wheel body material	AlMgSi1
Standard bore-hole	\varnothing 6 mm
Width	O-ring 3.5 mm
Operating temperature	-40 °C up to +85 °C
Weight	30 g
Order number(s)	MR150GR06 (measuring wheel, bore-hole \varnothing 6 mm)

Drawing



All dimensional specifications in mm.

Measuring wheels for encoders



MRA200GR10

Measuring wheel MRA200GR10

Circumference: 200 mm,

Surface finish: O-ring 3,5 mm, material NBR70

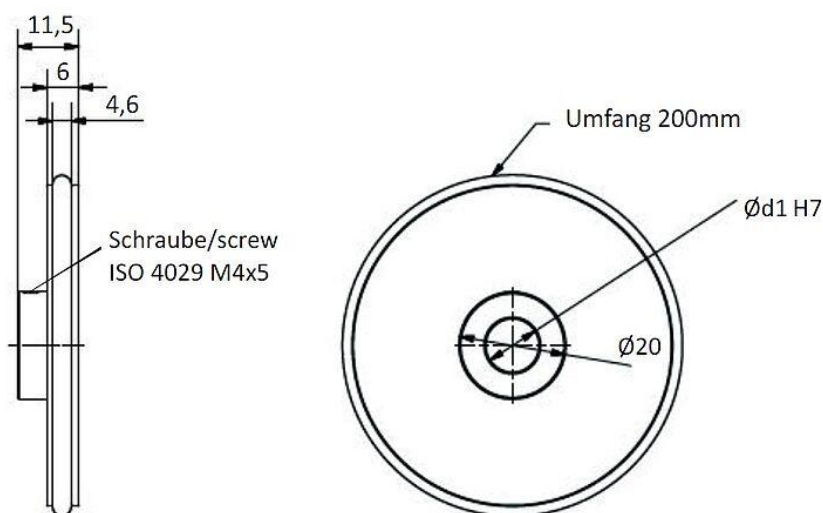
Fields of application: Wood, painted surfaces, paper, plastics.

For encoders with shaft \varnothing 10 mm.

Product data

Circumference	200 mm
Surface finish	NBR70
Hardness/Shore A	70
Wheel body material	AlMgSi1
Standard bore-hole	\varnothing 6 mm
Width	O-ring 3.5 mm
Operating temperature	-40 °C up to +85 °C
Weight	48 g
Order number(s)	MRA200GR10 (measuring wheel, bore-hole \varnothing 10 mm)

Drawing



All dimensional specifications in mm.