

Measuring wheels for encoders



MR500KR

Measuring wheel MR500KR

Circumference 500 mm,

Surface finish: Metal, knurled

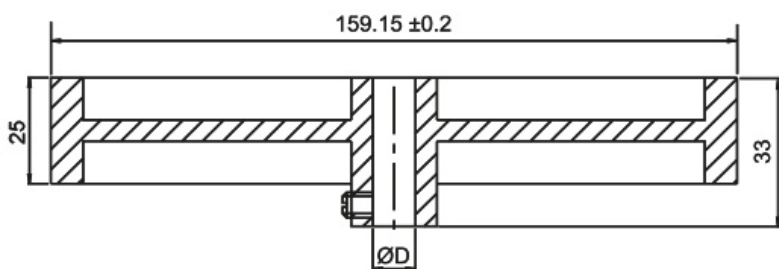
Fields of application: Pasteboard, wood, certain textiles.

For encoder with shaft \varnothing 10 mm.

Product data

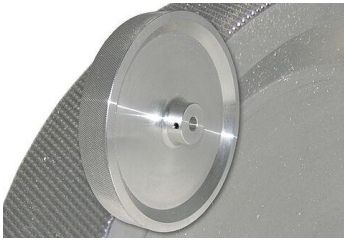
Circumference	500 mm
Surface finish	Metal, knurled
Wheel body material	Aluminum
Standard bore-hole	\varnothing 10 mm
Width	25 mm
Operating temperature	-30 °C up to +180 °C
Weight	350 g
Order number(s)	MR500KR10 (measuring wheel, bore-hole \varnothing 10 mm)

Drawing



All dimensional specifications in mm.

Measuring wheels for encoders



MRA500KR

Measuring wheel MRA500KR

Circumference 500 mm,

Surface finish: Metal, knurled

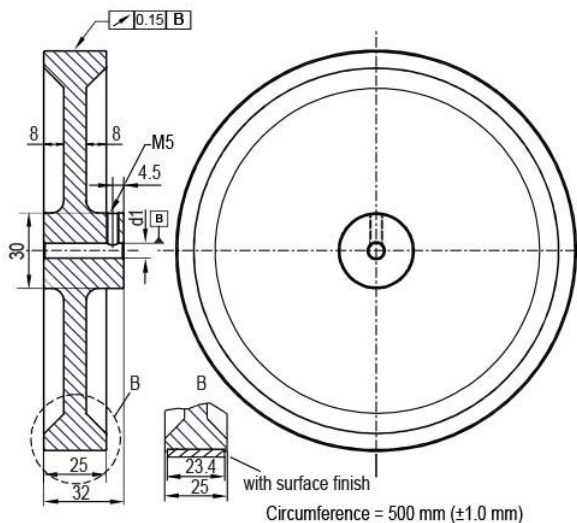
Fields of application: Pasteboard, wood, textiles, rubber, soft plastic.

For encoder with shaft \varnothing 10 mm or \varnothing 12 mm.

Product data

Circumference	500 mm
Surface finish	Metal, knurled
Moment of inertia	$17 \times 10^3 \text{ g} \cdot \text{cm}^2$
Wheel body material	Aluminum
Standard bore-hole	\varnothing 10 mm \varnothing 12 mm
Width	25 mm
Operating temperature	-30 °C up to +180 °C
Weight	505 g
Order number(s)	MRA500KR10 (measuring wheel, bore-hole \varnothing 10 mm) MRA500KR12 (measuring wheel, bore-hole \varnothing 12 mm)

Drawing



Surface finish: crosshatched knurling

\varnothing d1	Order No.:
10	MRA500KG10
12	MRA500KG12

Surface finish: smooth

\varnothing d1	Order No.:
10	MRA500KH10
12	MRA500KH12

Surface finish: pimped rubber

\varnothing d1	Order No.:
10	MRA500NG10
12	MRA500NG12

Surface finish: fluted

\varnothing d1	Order No.:
10	MRA500KG10
12	MRA500KG12

All dimensional specifications in mm.

Measuring wheels for encoders



MR500KH

Measuring wheel MR500KH

Circumference 500 mm,

Surface finish: Synthetic (Hytrel, even)

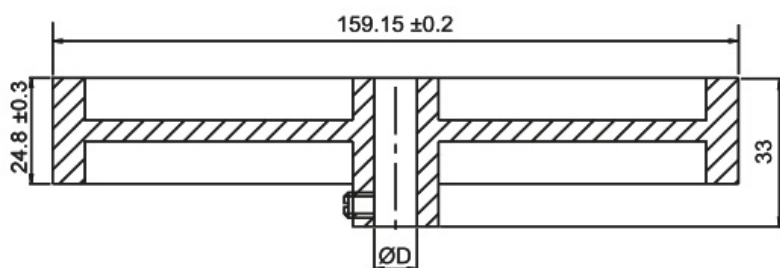
Fields of application: Plastic, painted surfaces, paper, wood, metal, textiles.

For encoder with shaft \varnothing 10 mm.

Product data

Circumference	500 mm
Surface finish	Synthetic (Hytrel, fluted)
Hardness/Shore A	85 up to 90
Wheel body material	Plastic
Standard bore-hole	\varnothing 10 mm
Width	25 mm
Operating temperature	-10 °C up to +70 °C
Weight	260 g
Order number(s)	MR500KH10 (measuring wheel, bore-hole \varnothing 10 mm)

Drawing



All dimensional specifications in mm.

Measuring wheels for encoders



MRA500KH

Measuring wheel MRA500KH

Circumference 500 mm,

Surface finish: Synthetic (Polyurethan, even)

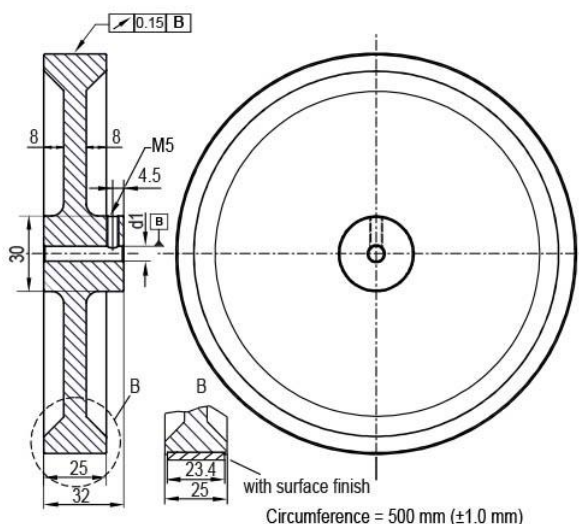
Fields of application: metal, painted surfaces, plastic, paper, wood, textiles, leather.

For encoder with shaft \varnothing 10 mm or \varnothing 12 mm.

Product data

Circumference	500 mm
Surface finish	Synthetic (Polyurethan, even)
Hardness/Shore A	90
Moment of inertia	$15.3 \times 10^3 \text{ g} \cdot \text{cm}^2$
Wheel body material	Aluminum
Standard bore-hole	\varnothing 10 mm \varnothing 12 mm
Width	25 mm
Operating temperature	-30 °C up to +80 °C
Weight	501 g
Order number(s)	MRA500KH10 (measuring wheel, bore-hole \varnothing 10 mm) MRA500KH12 (measuring wheel, bore-hole \varnothing 12 mm)

Drawing



Surface finish: crosshatched knurling

\varnothing d1	Order No.:
10	MRA500KH10
12	MRA500KH12

Surface finish: smooth

\varnothing d1	Order No.:
10	MRA500KH10
12	MRA500KH12

Surface finish: pimpled rubber

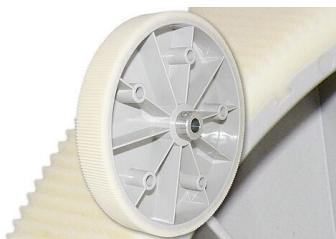
\varnothing d1	Order No.:
10	MRA500NG10
12	MRA500NG12

Surface finish: fluted

\varnothing d1	Order No.:
10	MRA500KG10
12	MRA500KG12

All dimensional specifications in mm.

Measuring wheels for encoders



MR500KG

Measuring wheel MR500KG

Circumference 500 mm,

Surface finish: Synthetic (Hytrel, fluted)

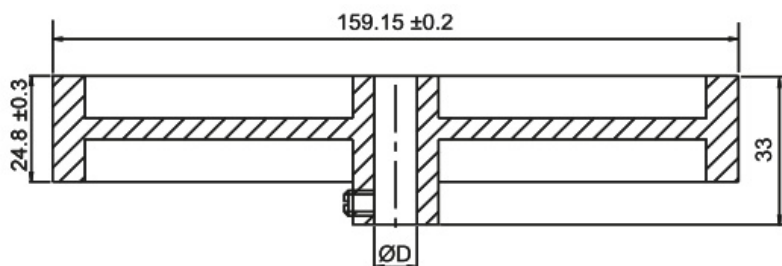
Fields of application: Plastic, painted surfaces, paper, wood, metal, textiles.

For encoder with shaft \varnothing 10 mm.

Product data

Circumference	500 mm
Surface finish	Synthetic (Hytrel, fluted)
Wheel body material	Plastic
Standard bore-hole	\varnothing 10 mm
Width	25 mm
Operating temperature	-10 °C up to +70 °C
Weight	260 g
Order number(s)	MR500KG10 (measuring wheel, bore-hole \varnothing 10 mm)

Drawing



All dimensional specifications in mm.

Measuring wheels for encoders



MRA500KG

Measuring wheel MRA500KG

Circumference 500 mm,

Surface finish: Synthetic (Polyurethan, fluted)

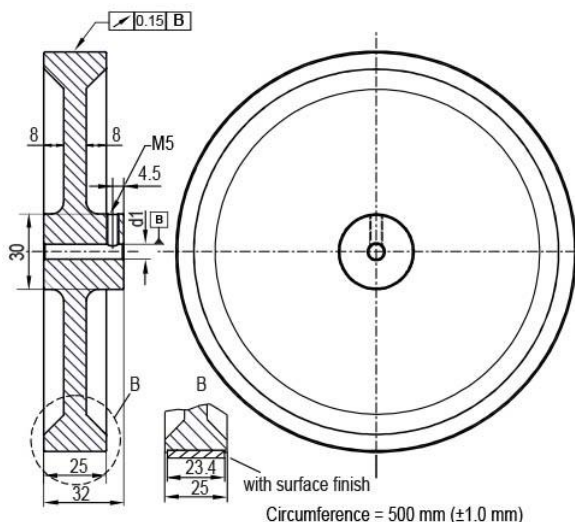
Fields of application: metal, plastic, paper, wood, textiles, glas, floor coverings.

For encoder with shaft \varnothing 10 mm or \varnothing 12 mm.

Product data

Circumference	500 mm
Surface finish	Synthetic (Polyurethan, fluted)
Hardness/Shore A	60
Moment of inertia	$15.2 \times 10^3 \text{ g} \cdot \text{cm}^2$
Wheel body material	Aluminum
Standard bore-hole	\varnothing 10 mm \varnothing 12 mm
Width	25 mm
Operating temperature	-30 °C up to +80 °C
Weight	501 g
Order number(s)	MRA500KG10 (measuring wheel, bore-hole \varnothing 10 mm) MRA500KG12 (measuring wheel, bore-hole \varnothing 12 mm)

Drawing



Surface finish: crosshatched knurling

\varnothing d1	Order No.:
10	MRA500KG10
12	MRA500KG12

Surface finish: smooth

\varnothing d1	Order No.:
10	MRA500KH10
12	MRA500KH12

Surface finish: pimpled rubber

\varnothing d1	Order No.:
10	MRA500NG10
12	MRA500NG12

Surface finish: fluted

\varnothing d1	Order No.:
10	MRA500KG10
12	MRA500KG12

All dimensional specifications in mm.

Measuring wheels for encoders



MR500KV

Measuring wheel MR500KV

Circumference 500 mm,

Surface finish: Synthetic (Vulkollan[®], even)

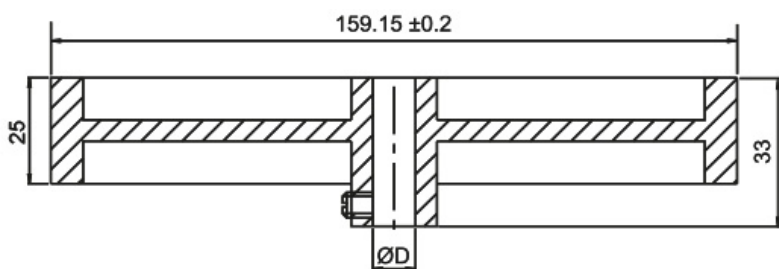
Fields of application: Plastic, painted surfaces, paper, wood, metal, wire.

For encoder with shaft \varnothing 10 mm.

Product data

Circumference	500 mm
Surface finish	Synthetic, (Vulkollan [®] , even)
Hardness/Shore A	90 up to 94
Wheel body material	Aluminum
Standard bore-hole	\varnothing 10 mm
Width	25 mm
Operating temperature	-30 °C up to +80 °C
Weight	320 g
Order number(s)	MR500KV10 (measuring wheel, bore-hole \varnothing 10 mm)

Drawing



All dimensional specifications in mm.

Measuring wheels for encoders



MR500NG

Measuring wheel MR500NG

Circumference 500 mm.

Surface finish: pimpled rubber

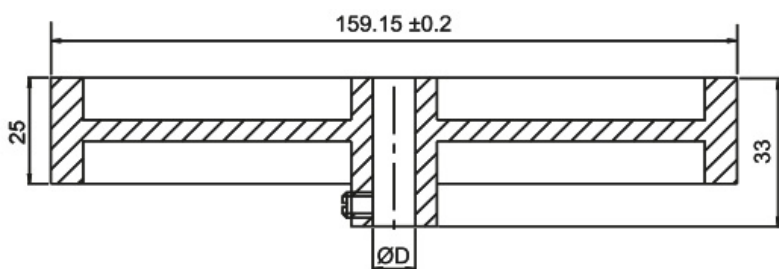
Fields of application: Textiles

For encoder with shaft \varnothing 10 mm.

Product data

Circumference	500 mm
Surface finish	pimpled rubber (NBR Nitril)
Hardness/Shore A	50 up to 60
Wheel body material	Aluminum
Standard bore-hole	\varnothing 10 mm
Width	25 mm
Operating temperature	-10 °C up to +50 °C
Weight	320 g
Order number(s)	MR500NG10 (measuring wheel, bore-hole \varnothing 10 mm)

Drawing



All dimensional specifications in mm.

Measuring wheels for encoders



MRA500NG

Measuring wheel MRA500NG

Circumference 500 mm,

Surface finish: Synthetic (pimpled Polyurethan)

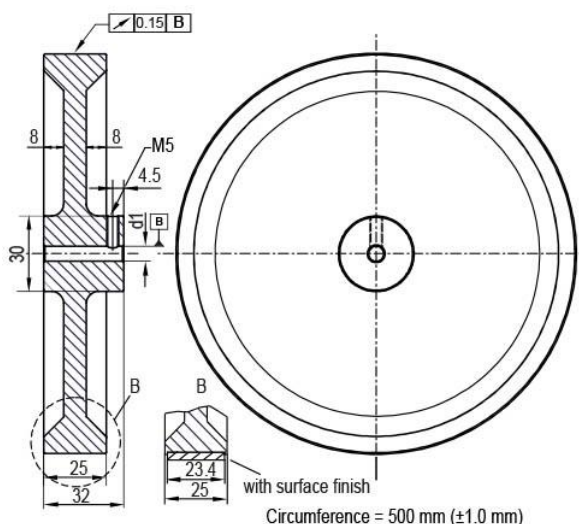
Fields of application: rough textiles, carpet, cable, fleece, paper, wood, plastic.

For encoder with shaft \varnothing 10 mm or \varnothing 12 mm.

Product data

Circumference	500 mm
Surface finish	pimpled Polyurethan
Hardness/Shore A	60
Moment of inertia	$15 \times 10^3 \text{ g} \cdot \text{cm}^2$
Wheel body material	Aluminum
Standard bore-hole	\varnothing 10 mm \varnothing 12 mm
Width	25 mm
Operating temperature	-30 °C up to +80 °C
Weight	483 g
Order number(s)	MRA500NG10 (measuring wheel, bore-hole \varnothing 10 mm) MRA500NG12 (measuring wheel, bore-hole \varnothing 12 mm)

Drawing



Surface finish: crosshatched knurling

\varnothing d1	Order No.:
10	MRA500KG10
12	MRA500KG12

Surface finish: smooth

\varnothing d1	Order No.:
10	MRA500KH10
12	MRA500KH12

Surface finish: pimpled rubber

\varnothing d1	Order No.:
10	MRA500NG10
12	MRA500NG12

Surface finish: fluted

\varnothing d1	Order No.:
10	MRA500KG10
12	MRA500KG12

All dimensional specifications in mm.