

Measuring wheels for encoders



MR200KR

Measuring wheel MR200KR

Circumference 200 mm,

Surface finish: Metal, knurled

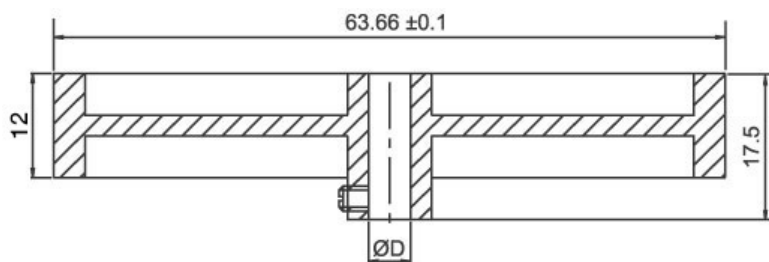
Fields of application: Pasteboard, wood, certain textiles.

For encoder with shaft \varnothing 6 mm or 10 mm.

Product data

Circumference	200 mm
Surface finish	Metal, knurled
Wheel body material	Aluminum
Standard bore-hole	\varnothing 6 mm \varnothing 10 mm
Width	12 mm
Operating temperature	-30 °C up to +180 °C
Weight	40 g
Order number(s)	MR200KR06 (measuring wheel, bore-hole \varnothing 6 mm) MR200KR10 (measuring wheel, bore-hole \varnothing 10 mm)

Drawing



All dimensional specifications in mm.

Measuring wheels for encoders



MRA200KR

Measuring wheel MRA200KR

Circumference 200 mm,

Surface finish: Metal, knurled

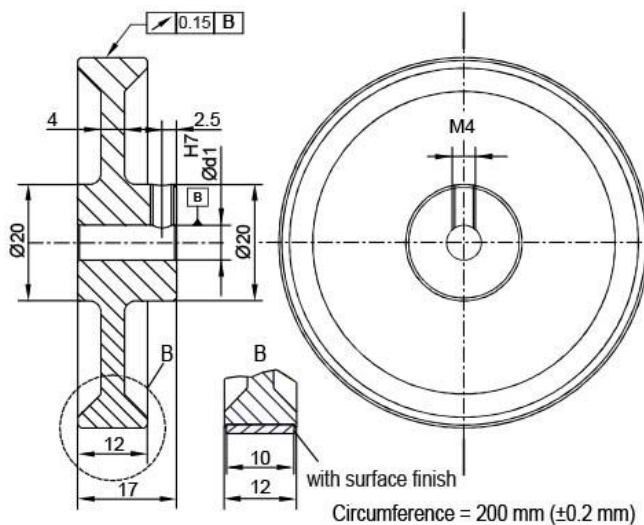
Fields of application: Pasteboard, wood, textiles, rubber, soft plastic.

For encoder with shaft \varnothing 6 mm, \varnothing 10 mm or \varnothing 12 mm.

Product data

Circumference	200 mm
Surface finish	Metal, knurled
Wheel body material	Aluminum
Standard bore-hole	\varnothing 6 mm \varnothing 10 mm \varnothing 12 mm
Width	12 mm
Operating temperature	-30 °C up to +180 °C
Weight	60 g
Order number(s)	MRA200KR06 (measuring wheel, bore-hole \varnothing 6 mm) MRA200KR10 (measuring wheel, bore-hole \varnothing 10 mm) MRA200KR12 (measuring wheel, bore-hole \varnothing 12 mm)

Drawing



Surface finish: crosshatched knurling

\varnothing d1	Order No.:
6	MRA200KR06
10	MRA200KR10

Surface finish: even

\varnothing d1	Order No.:
6	MRA200KH06
10	MRA200KH10

Surface finish: pimples rubber

\varnothing d1	Order No.:
6	MRA200NG06
10	MRA200NG10

Surface finish: fluted

\varnothing d1	Order No.:
6	MRA200KG06
10	MRA200KG10

All dimensional specifications in mm.

Measuring wheels for encoders



MR200KG

Measuring wheel MR200KG

Circumference 200 mm,

Surface finish: Synthetic (Hytrel, fluted)

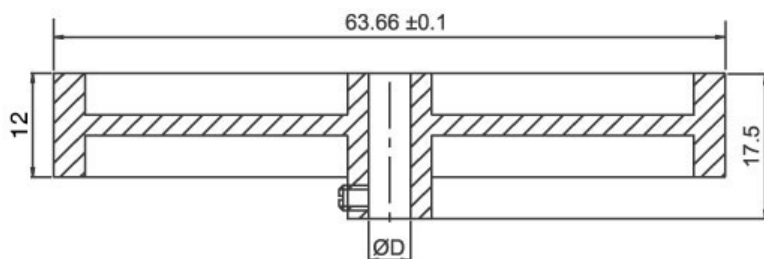
Fields of application: Plastic, painted surfaces, paper, wood, metal, textiles.

For encoder with shaft \varnothing 6 mm or 10 mm.

Product data

Circumference	200 mm
Surface finish	Synthetic (Hytrel, fluted)
Hardness/Shore A	85 up to 90
Wheel body material	Plastic
Standard bore-hole	\varnothing 6 mm \varnothing 10 mm
Width	12 mm
Operating temperature	-10 °C up to +70 °C
Weight	35 g
Order number(s)	MR200KG06 (measuring wheel, bore-hole \varnothing 6 mm) MR200KG10 (measuring wheel, bore-hole \varnothing 10 mm)

Drawing



All dimensional specifications in mm.

Measuring wheels for encoders



MRA200KG

Measuring wheel MRA200KG

Circumference 200 mm,

Surface finish: Synthetic (Polyurethan, fluted)

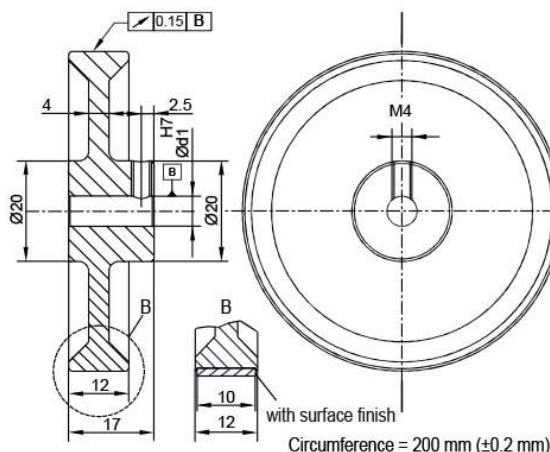
Fields of application: metal, painted surfaces, plastic, paper, wood, textiles, glas.

For encoder with shaft \varnothing 6 mm, \varnothing 10 mm or \varnothing 12 mm.

Product data

Circumference	200 mm
Surface finish	Synthetic (Polyurethan, fluted)
Hardness/Shore A	60
Moment of inertia	$3 \times 10^3 \text{ g} \cdot \text{cm}^2$
Wheel body material	Aluminum
Standard bore-hole	\varnothing 6 mm \varnothing 10 mm \varnothing 12 mm
Width	12 mm
Operating temperature	-30 °C up to +80 °C
Weight	60 g
Order number(s)	MRA200KG06 (measuring wheel, bore-hole \varnothing 6 mm) MRA200KG10 (measuring wheel, bore-hole \varnothing 10 mm) MRA200KG12 (measuring wheel, bore-hole \varnothing 12 mm)

Drawing



Surface finish: crosshatched knurling

\varnothing d1	Order No.:
6	MRA200KR06
10	MRA200KR10

Surface finish: even

\varnothing d1	Order No.:
6	MRA200KH06
10	MRA200KH10

Surface finish: pimples rubber

\varnothing d1	Order No.:
6	MRA200NG06
10	MRA200NG10

Surface finish: fluted

\varnothing d1	Order No.:
6	MRA200KG06
10	MRA200KG10

All dimensional specifications in mm.

Measuring wheels for encoders



MR200KH

Measuring wheel MR200KH

Circumference 200 mm,

Surface finish: Synthetic (Hytrel, even)

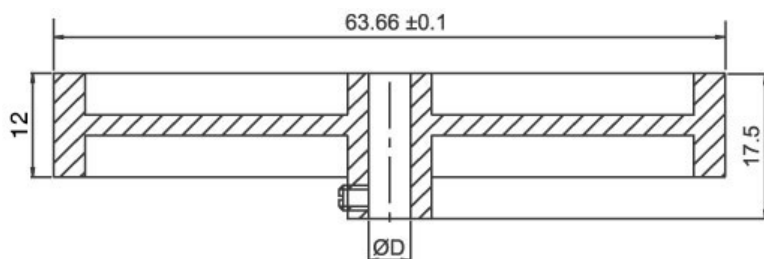
Fields of application: Plastic, painted surfaces, paper, wood, metal, textiles.

For encoder with shaft \varnothing 6 mm or 10 mm.

Product data

Circumference	200 mm
Surface finish	Synthetic (Hytrel, even)
Hardness/Shore A	85 up to 90
Wheel body material	Plastic
Standard bore-hole	\varnothing 6 mm \varnothing 10 mm
Width	12 mm
Operating temperature	-10 °C up to +70 °C
Weight	35 g
Order number(s)	MR200KH06 (measuring wheel, bore-hole \varnothing 6 mm) MR200KH10 (measuring wheel, bore-hole \varnothing 10 mm)

Drawing



All dimensional specifications in mm.

Measuring wheels for encoders



MRA200KH

Measuring wheel MRA200KH

Surface finish: Synthetic (Polyurethan, even)

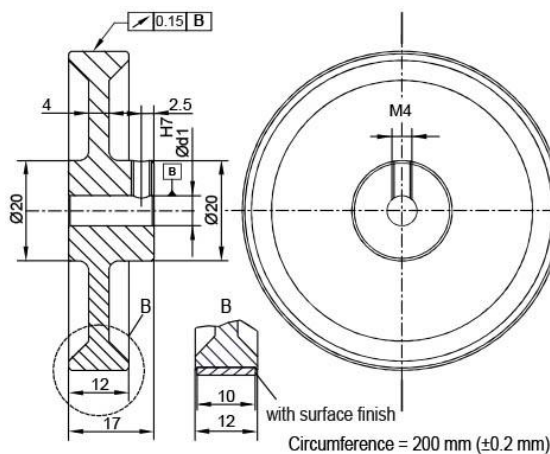
Fields of application: metal, painted surfaces, plastic, paper, wood, textiles.

For encoder with shaft \varnothing 6 mm, \varnothing 10 mm or \varnothing 12 mm.

Product data

Circumference	200 mm
Surface finish	Synthetic (Polyurethan, even)
Hardness/Shore A	90
Moment of inertia	$3 \times 10^3 \text{ g} \cdot \text{cm}^2$
Wheel body material	Aluminum
Standard bore-hole	\varnothing 6 mm \varnothing 10 mm \varnothing 12 mm
Width	12 mm
Operating temperature	-30 °C up to +80 °C
Weight	60 g
Order number(s)	MRA200KH06 (measuring wheel, bore-hole \varnothing 6 mm) MRA200KH10 (measuring wheel, bore-hole \varnothing 10 mm) MRA200KH12 (measuring wheel, bore-hole \varnothing 12 mm)

Drawing



Surface finish: crosshatched knurling

\varnothing d1	Order No.:
6	MRA200KR06
10	MRA200KR10

Surface finish: even

\varnothing d1	Order No.:
6	MRA200KH06
10	MRA200KH10

Surface finish: pimples rubber

\varnothing d1	Order No.:
6	MRA200NG06
10	MRA200NG10

Surface finish: fluted

\varnothing d1	Order No.:
6	MRA200KG06
10	MRA200KG10

All dimensional specifications in mm.

Measuring wheels for encoders



MRA200KW

Measuring wheel MRA200KW

Circumference 200 mm,

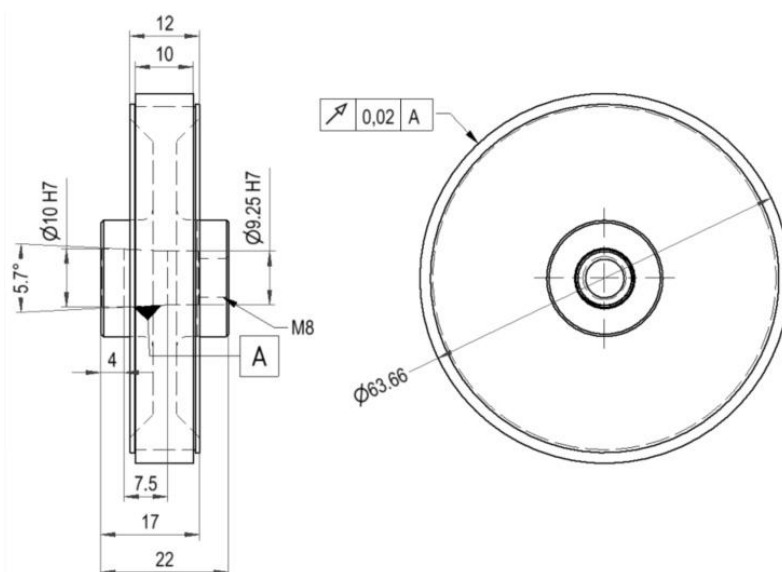
Surface finish: Synthetic (Polyurethan, even)

Fields of application: greased metal, steel profiles, painted surfaces, plastic, paper, pasteboard, wood, textiles, wire, leather.

Product data

Circumference	200 mm \pm 0.2 mm
Surface finish	Synthetic (Polyurethan, even)
Hardness/Shore A	90
Moment of inertia	$3 \times 10^3 \text{ g} \cdot \text{cm}^2$
Wheel body material	Aluminum
Standard bore-hole	$\text{Ø} 10 \text{ mm}$ (conical)
Width	12 mm
Operating temperature	-30 °C up to +80 °C
Weight	60 g
Order number(s)	MRA200KW10 (measuring wheel, bore-hole $\text{Ø} 10 \text{ mm}$)

Drawing



All dimensional specifications in mm.

Measuring wheels for encoders



MR200NG

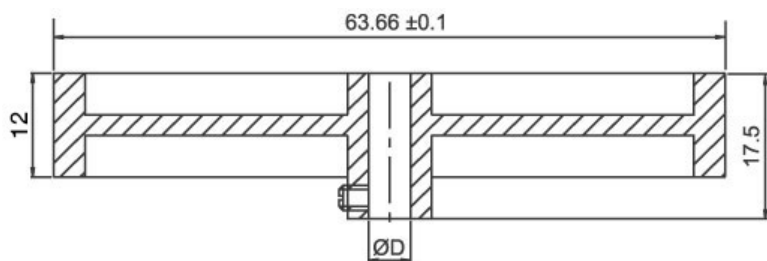
Measuring wheel MR200NG

Circumference 200 mm,
Surface finish: Synthetic (pimpled rubber)
Fields of application: Textiles.
For encoder with shaft \varnothing 6 mm or 10 mm.

Product data

Circumference	200 mm
Surface finish	pimpled rubber (NBR Nitril)
Hardness/Shore A	50 up to 60
Wheel body material	Aluminum
Standard bore-hole	\varnothing 6 mm \varnothing 10 mm
Width	12 mm
Operating temperature	-10 °C up to +50 °C
Weight	37 g
Order number(s)	MR200NG06 (measuring wheel, bore-hole \varnothing 6 mm) MR200NG10 (measuring wheel, bore-hole \varnothing 10 mm)

Drawing



All dimensional specifications in mm.

Measuring wheels for encoders



MRA200NG

Measuring wheel MRA200NG

Circumference 200 mm,

Surface finish: Synthetic (pimpled Polyurethan)

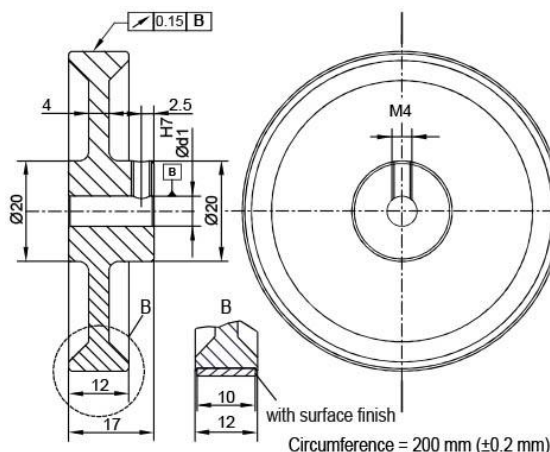
Fields of application: textiles, carpet, fleece, paper, pasteboard, wood, plastic.

For encoder with shaft \varnothing 6 mm, \varnothing 10 mm or \varnothing 12 mm.

Product data

Circumference	200 mm
Surface finish	pimpled Polyurethan
Hardness/Shore A	60
Moment of inertia	$3 \times 10^3 \text{ g} \cdot \text{cm}^2$
Wheel body material	Aluminum
Standard bore-hole	\varnothing 6 mm \varnothing 10 mm \varnothing 12 mm
Width	12 mm
Operating temperature	-30 °C up to +80 °C
Weight	60 g
Order number(s)	MRA200NG06 (measuring wheel, bore-hole \varnothing 6 mm) MRA200NG10 (measuring wheel, bore-hole \varnothing 10 mm) MRA200NG12 (measuring wheel, bore-hole \varnothing 12 mm)

Drawing



Surface finish: crosshatched knurling

\varnothing d1	Order No.:
6	MRA200KR06
10	MRA200KR10

Surface finish: even

\varnothing d1	Order No.:
6	MRA200KH06
10	MRA200KH10

Surface finish: pimpled rubber

\varnothing d1	Order No.:
6	MRA200NG06
10	MRA200NG10

Surface finish: fluted

\varnothing d1	Order No.:
6	MRA200KG06
10	MRA200KG10

All dimensional specifications in mm.