

MR150GR06

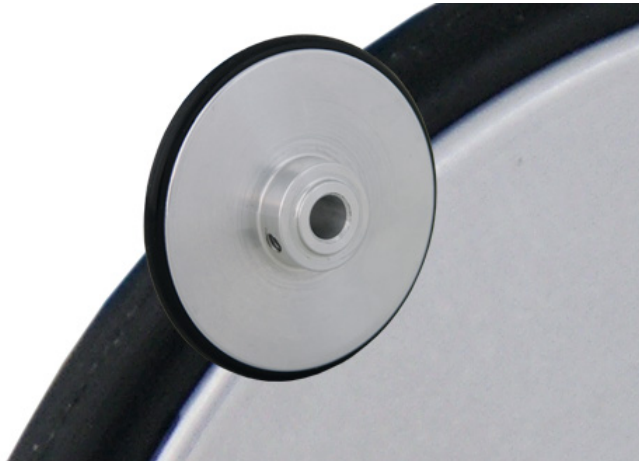
Measuring wheel MR150GR06

Circumference: 150 mm,

Surface finish: O-ring 3,5 mm, material NBR70

Fields of application: Wood, metal, conveyor belts, paper, textiles.

For encoders with shaft \varnothing 6 mm.

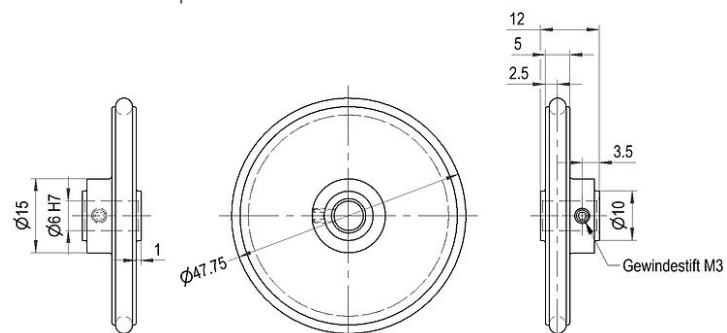


Product data

Circumference	150 mm
Surface finish	NBR70
Hardness/Shore	70
A	
Wheel body material	AlMgSi1
Standard bore-hole	\varnothing 6 mm
Width	O-ring 3.5 mm
Operating temperature	-40 °C up to +85 °C
Weight	30 g
Order number(s)	
MR200GR06	Measuring wheel, bore-hole \varnothing 6 mm

Drawings and STEP-Data

All dimensional specifications in mm



MRA200GR10

Measuring wheel MRA200GR10

Circumference: 200 mm,

Surface finish: O-ring 3,5 mm, material NBR70

Fields of application: Wood, painted surfaces, paper, plastics.

For encoders with shaft \varnothing 10 mm.



Product data

Circumference	200 mm
Surface finish	NBR70
Hardness/Shore	70
A	
Wheel body material	Aluminum
Standard bore-hole	\varnothing 10 mm
Width	O-ring 3.5 mm
Operating temperature	-40 °C up to +80 °C
Weight	48 g
Order number(s)	
MRA200GR10	Measuring wheel, bore-hole \varnothing 10 mm

Drawings and STEP-Data

All dimensional specifications in mm

