



Online Data sheet

Encoder WDGA 36E IO-Link

www.wachendorff-automation.com/wdga36e_io-link

Wachendorff Automation

... systems and encoders

- Complete systems
- Industrial rugged encoders to suit your application
- Standard range and customer versions
- Maximum permissible loads
- 48-hour express production
- Made in Germany
- Worldwide distributor network

Encoder WDGA 36E absolute IO-Link magnetic, with EnDra®-Technology



EnDra®
Technologie

IO-Link

- EnDra®: maintenance-free and environmentally friendly
- IO-Link, Single-turn and Multi-turn
- Device Profile for encoder Smart Sensor Profile (SSP)
- Single-turn/Multi-turn (16 bit / 43 bit)
- Forward-looking technology with 32 Bit processor
- LED as indicator for operating condition and Error message
- Monitoring the power supply
- Cam switches for position and velocity with hysteresis

www.wachendorff-automation.com/wdga36e_io-link

Mechanical Data

Housing	
Flange	hollow shaft (blind-bored)
Flange material	aluminum
Housing cap	stainless steel
- 1. Spring plate compensation	axial: ±1.2 mm, radial: ±0.4 mm
Housing	Ø 36 mm

Shaft(s)	
Starting torque	approx. 1.6 Ncm at ambient temperature

Shaft	Ø 8 mm
Advice	with adapter sleeve
Insertion depth min.	10 mm
Insertion depth max.	14.5 mm
Max. Permissible shaft loading radial	80 N
Max. Permissible shaft loading axial	50 N

Shaft	Ø 10 mm
Advice	with adapter sleeve
Insertion depth min.	10 mm
Insertion depth max.	14.5 mm
Max. Permissible shaft loading radial	80 N
Max. Permissible shaft loading axial	50 N

Shaft	Ø 12 mm
Insertion depth min.	10 mm
Insertion depth max.	14.5 mm
Max. Permissible shaft loading radial	80 N
Max. Permissible shaft loading axial	50 N

Shaft	Ø 14 mm
Insertion depth min.	10 mm
Insertion depth max.	14.5 mm
Max. Permissible shaft loading radial	80 N
Max. Permissible shaft loading axial	50 N

Shaft	Ø 15 mm
Insertion depth min.	10 mm

Insertion depth max.	14.5 mm
Max. Permissible shaft loading radial	80 N
Max. Permissible shaft loading axial	50 N

Bearings	
Bearings type	2 precision ball bearings
Nominal service life	1 x 10 ⁹ revs. at 100 % rated shaft load 1 x 10 ¹⁰ revs. at 40 % rated shaft load 1 x 10 ¹¹ revs. at 20 % rated shaft load
Max. operating speed	6000 rpm

Machinery Directive: basic data safety integrity level

MTTF _d	1300 a
Mission time (TM)	20 a
Nominal service life (L10h)	1 x 10 ¹¹ revs. at 20 % rated shaft load and 6000 rpm
Diagnostic coverage (DC)	0 %

Electrical Data

Power supply/Current consumption	18 VDC up to 30 VDC: typ. 20 mA
Power consumption	max. 0.5 W

Sensor data

Single-turn technology	innovative hall sensor technology
Single-turn resolution	65,536 steps/360° (16 bit)
Single-turn accuracy	± 0.0878° (12 bit)
Single-turn repeat accuracy	± 0.0878° (12 bit)
Internal cycle time	250 µs
Multi-turn technology	patented EnDra® technology no battery and no gear.
Multi-turn resolution	up to 32 bit with high precision value up to 43 bit.

Environmental data

ESD (DIN EN 61000-4-2):	4 kV
Burst (DIN EN 61000-4-4):	2 kV
includes EMC:	DIN EN 61000-6-2 DIN EN 61326-2-3 DIN EN 61131-9
Vibration: (DIN EN 60068-2-6)	300 m/s ² (10 Hz up to 2000 Hz)

Shock: (DIN EN 60068-2-27)	5000 m/s ² (6 ms)
Design:	according DIN VDE 0160
Turn on time:	<1 s

Duty information

Customs tariff number:	90318020
Country of origin:	Germany

Interface

Interface:	IO-Link
Smart Sensor Profile (SSP):	<ul style="list-style-type: none"> • 2.8 Adjustable Switching Sensor, multi channel • 4.2.1 Measuring and Switching Sensor, high resolution, 1 channel • 4.2.2 Measuring and Switching Sensor, high resolution, 2 channel
Baud rate:	COM 3 230.4 kBit/s
Advice:	The standard settings and customer-specific adjustments in the parameterisation can be set using ISDUs, e.g. scaling, direction of rotation, etc.

General Data

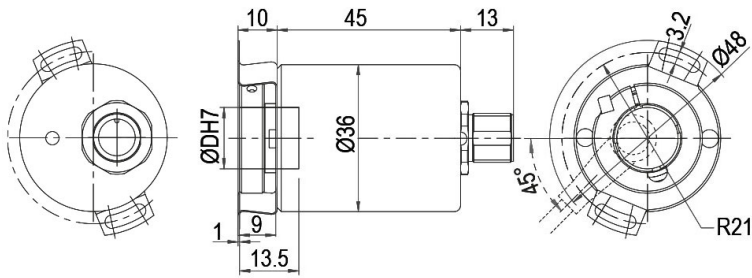
Weight	approx. 110 g
Connections	connector outlet
Protection rating (EN 60529)	Housing: IP65, IP67; shaft sealed: IP65
Operating temperature	-40 °C up to +85 °C
Storage temperature	-40 °C up to +100 °C

More Information

General technical data and safety instructions
<http://www.wachendorff-automation.com/gtd>

Options
<http://www.wachendorff-automation.com/acc>

Connector, M12x1 IB5 axial, 5-pin



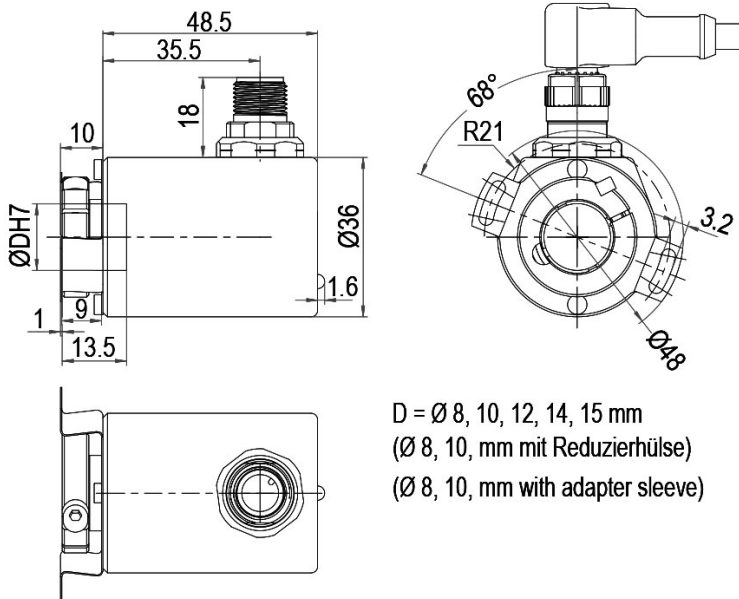
D = Ø 8, 10, 12, 14, 15 mm
 (Ø 8, 10, mm mit Reduzierhülse)
 (Ø 8, 10, mm with adapter sleeve)

Description

IB5 axial, 5-pin, shield connected to encoder housing

Assignments	
	IB5
L+	1
L-	3
C/Q	4
I	2
n. c.	5

Connector, M12x1 IC5 radial, 5-pin



Description

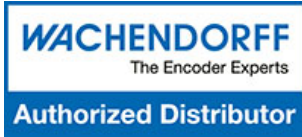
IC5 radial, 5-pin, shield connected to encoder housing

Assignments	
	IC5
L+	1
L-	3
C/Q	4
I	2
n. c.	5

Example Order No.	Type	Your encoder
WDGA 36E	WDGA 36E	WDGA 36E
	Shaft	Order key
08	Ø 8 mm with adapter sleeve	08
	Ø 10 mm with adapter sleeve	10
	Ø 12 mm	12
	Ø 14 mm	14
	Ø 15 mm	15
	Single-turn Resolution	Order key
16	Single-turn resolution 1 bit up to 16 bit: (e. G. 6 bit)	16
	Multi-turn Resolution	Order key
43	Multi-turn resolution: (examples) 6 bit = 6 43 bit = 43 no Multiturn = 00	16
	Data protocol	Order key
IL	IO-Link	IL
	Software	Order key
A	up to date release	A
	Code	Order key
B	binary	B
	Power supply	Order key
3	18 V up to 30 V (standard)	3
	Galvanic isolation	Order key
0	no	0
	Electrical connections	Order key
IB5	Connector:	
	sensor-connector, M12x1, 5-pin, axial, shield connected to encoder housing	IB5
	sensor-connector, M12x1, 5-pin, radial, shield connected to encoder housing	IC5

Example Order No.	WDGA 36E	08	16	43	IL	A	B	3	0	IB5
--------------------------	----------	----	----	----	----	---	---	---	---	-----

WDGA 36E											Example Order No.
----------	--	--	--	--	--	--	--	--	--	--	--------------------------



For further information please contact our local distributor.
Here you find a list of our distributors worldwide.
<https://www.wachendorff-automation.com/contact-sales-en/>

WACHENDORFF

Wachendorff Automation GmbH & Co. KG
Industriestrasse 7 • 65366 Geisenheim
Germany

Phone: +49 67 22 / 99 65 25
E-Mail: wdg@wachendorff.de
www.wachendorff-automation.de

