



Online Data sheet

Encoder WDGA 58S CANopen

www.wachendorff-automation.com/wdga58scan

Wachendorff Automation

... systems and encoders

- Complete systems
- Industrial rugged encoders to suit your application
- Standard range and customer versions
- Maximum permissible loads
- 48-hour express production
- Made in Germany
- Worldwide distributor network

Encoder WDGA 58S absolute CANopen magnetic, with EnDra®-Technology



EnDra®
Technologie

CANopen®

- Resistance to salt mist (IEC 60068-2-11) succeeded
- Protection: IP67 + IP69k (high pressure / steam cleaning)
- EnDra®: maintenance-free and environmentally friendly
- CANopen, Single-turn and Multi-turn Communication Profile according to CiA 301
- Device Profile for encoder CiA 406 V3.2 class C2
- Single-turn/Multi-turn (16 bit / 43 bit)
- Forward-looking technology with 32 Bit processor
- 2-colour-LED as indicator for operating condition and error message appropriate CiA 303-3

www.wachendorff-automation.com/wdga58scan

Salt mist IEC 60068-2-11
High pressure / steam cleaning

Mechanical Data	
Housing	
Flange	clamping flange
Flange material	Aluminum, anodized natur
Housing cap	steel case chrome-plated, magnetic shielding
Housing	Ø 58 mm
Shaft(s)	
Shaft material	stainless steel
Starting torque	approx. 1 Ncm at ambient temperature
Shaft	Ø 10 mm
Shaft length	L: 18 mm
Max. Permissible shaft loading radial	100 N
Max. Permissible shaft loading axial	100 N
Bearings	
Bearings type	2 precision ball bearings
Nomiale service life	1 x 10 ⁹ revs. at 100 % rated shaft load 1 x 10 ¹⁰ revs. at 40 % rated shaft load 1 x 10 ¹¹ revs. at 20 % rated shaft load
Max. operating speed	3600 rpm
Machinery Directive: basic data safety integrity level	
MTTF _d	1000 a
Mission time (TM)	20 a
Nomiale service life (L10h)	1 x 10 ¹¹ revs. at 20 % rated shaft load and 3600 rpm
Diagnostic coverage (DC)	0 %
Electrical Data	
Power supply/Current consumption	4,75 VDC up to 32 VDC: typ. 50 mA
Power consumption	max. 0.5 W
Sensor data	
Single-turn technology	innovative hall sensor technology
Single-turn resolution	65,536 steps/360° (16 bit)
Single-turn accuracy	± 0.0878° (12 bit)
Single-turn repeat accuracy	± 0.0878° (12 bit)

Internal cycle time	600 µs
Multi-turn technology	patented EnDra® technology no battery and no gear.
Multi-turn resolution	up to 32 bit with high precision value up to 43 bit.
Environmental data	
ESD (DIN EN 61000-4-2):	8 kV
Burst (DIN EN 61000-4-4):	2 kV
Includes EMC:	DIN EN 61000-6-2 DIN EN 61000-6-3 DIN EN 61326-1
Vibration: (DIN EN 60068-2-6)	300 m/s ² (10 Hz up to 2000 Hz)
Shock: (DIN EN 60068-2-27)	5000 m/s ² (6 ms)
Design:	According DIN VDE 0160
Turn on time:	<1,5 s
Duty information	
Customs tariff number:	90318020
Country of origin:	Germany
Interface	
Interface:	CAN
Protocol:	CANopen <ul style="list-style-type: none"> • Communication profil CiA 301 • Device Profile for encoder CiA 406 V3.2 class C2
Node number:	1 up to 127 (default 127)
Baud rate:	10 kBaud up to 1 MBaud with automatic bit rate detection.
Advice:	The standard settings as well as any customization in the software can be changed via LSS (CiA 305) and the SDO protocol, e. g. PDOs, Scaling, Heartbeat, Node-ID, Baud rate, etc.

Programmable CAN
transmission modes:

Synchronous mode:
when a synchronisation telegram
(SYNC) is received from another bus
node, PDOs are transmitted
independently.

Asynchronous mode:
a PDO message is triggered by an
internal event. (e.g. change of
measured valued, internal timer, etc.)

General Data

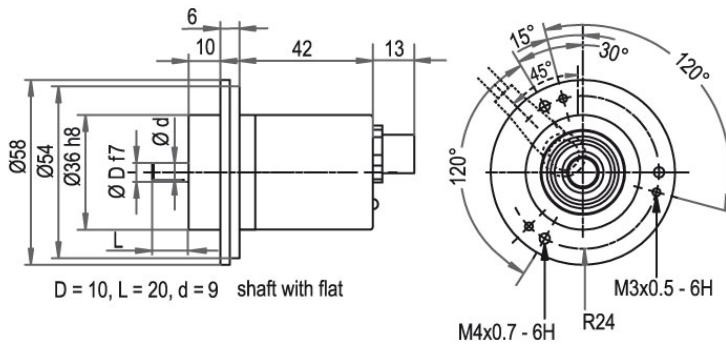
Weight	approx. 200 g
Connections	connector outlet
Protection rating (EN 60529)	IP67+IP69K all around
Operating temperature	-40 °C up to +85 °C
Storage temperature	-40 °C up to +100 °C

More Information

General technical data and safety instructions
<http://www.wachendorff-automation.com/gtd>

Options
<http://www.wachendorff-automation.com/acc>

Connector, M12x1 CB5, 5-pin, axial

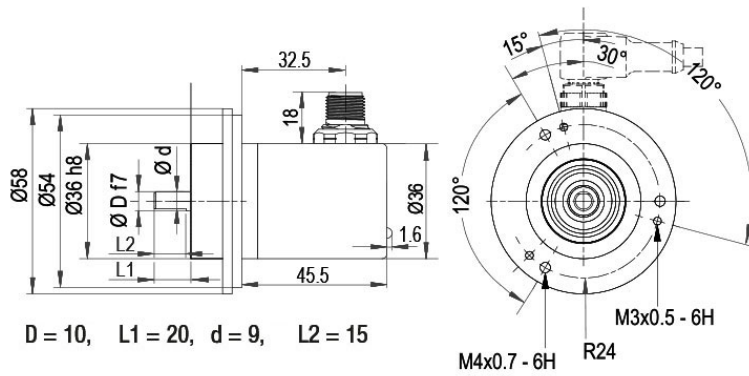


Description

CB5 axial, 5-pin, shield connected to encoder housing

Assignments	
	CB5
(+) Vcc	2
GND	3
CANHigh	4
CANLow	5
CANGND shield	1

Connector, M12x1 CC5, 5-pin, radial



Description

CC5 radial, 5-pin, shield connected to encoder housing

Assignments	
	CC5
(+) Vcc	2
GND	3
CANHigh	4
CANLow	5
CANGND shield	1

Options

120 Ohm terminating resistor

Order key

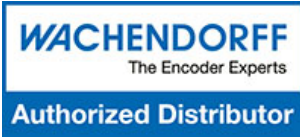
The encoder WDGA 58S CANopen is also available with fixed 120 Ohm terminating resistor.

AEO

Example Order No.	Type	Your encoder	
WDGA 58S	WDGA 58S	WDGA 58S	
Shaft		Order key	
10	Ø 10 mm	10	
Single-turn Resolution		Order key	
12	Single-turn resolution 1 bit up to 16 bit: (e. G. 12 bit)	12	
Multi-turn Resolution		Order key	
18	Multi-turn resolution: (examples) 18 bit = 18 43 bit = 43 no Multiturn = 00	18	
Data protocol		Order key	
CO	CANopen	CO	
Software		Order key	
A	up to date release	A	
Code		Order key	
B	binary	B	
Power supply		Order key	
0	4.75 V up to 32 V (standard)	0	
Galvanic isolation		Order key	
0	no	0	
Electrical connections		Order key	
CB5	Connector:		
	sensor-connector, M12x1, 5-pin, axial, shield connected to encoder housing	CB5	
	sensor-connector, M12x1, 5-pin, radial, shield connected to encoder housing	CC5	
Options		Order key	
	Without option	Empty	
	120 Ohm terminating resistor	AEO	

Example Order No.	WDGA 58S	10	12	18	CO	A	B	0	0	CB5	
--------------------------	----------	----	----	----	----	---	---	---	---	-----	--

WDGA 58S											Example Order No.
----------	--	--	--	--	--	--	--	--	--	--	--------------------------



For further information please contact our local distributor.
Here you find a list of our distributors worldwide.
<https://www.wachendorff-automation.com/contact-sales-en/>

WACHENDORFF

Wachendorff Automation GmbH & Co. KG
Industriestrasse 7 • 65366 Geisenheim
Germany

Phone: +49 67 22 / 99 65 25
E-Mail: wdg@wachendorff.de
www.wachendorff-automation.de

