



Online Data sheet

Encoder WDGA 58F Universal IE (cov)

www.wachendorff-automation.com/wdga58fuie

Wachendorff Automation

... systems and encoders

- Complete systems
- Industrial rugged encoders to suit your application
- Standard range and customer versions
- Maximum permissible loads
- 48-hour express production
- Made in Germany
- Worldwide distributor network

Encoder WDGA 58F absolute Universal IE magnetic, with bus cover and with EnDra®- Technology, 'extremely' compact



EnDra®
Technologie

Universal-IE
— Industrial Ethernet —

- EnDra®: maintenance-free and environmentally friendly
- Universal IE, Single-turn/Multi-turn
- Compact design with bus cover
- Single-turn/Multi-turn (max. 16 bit/43 bit)
- Forward-looking technology
- 2 colour-duo LED's as indicator for operating condition and bus status and 2 L/A LED's
- High shaft load up to 60 N radial, 50 N axial

www.wachendorff-automation.com/wdga58fuie

Mechanical Data

Housing

Flange	clamping flange
Flange material	aluminum
Housing cap	steel case chrome-plated, magnetic shielding
Connection cover	die cast aluminum, powder coated
Housing	Ø 58 mm

Shaft(s)

Shaft material	stainless steel
Starting torque	approx. 1 Ncm at ambient temperature, approx. 1.416 in-ozf at ambient temperature

Shaft	Ø 6 mm
Shaft length	L: 12 mm
Max. Permissible shaft loading radial	60 N
Max. Permissible shaft loading axial	50 N

Shaft	Ø 8 mm
Shaft length	L: 20 mm
Max. Permissible shaft loading radial	60 N
Max. Permissible shaft loading axial	50 N

Shaft	Ø 10 mm
Shaft length	L: 20 mm
Max. Permissible shaft loading radial	60 N
Max. Permissible shaft loading axial	50 N

Shaft	Ø 9.525 mm
Shaft length	L: 20 mm
Max. Permissible shaft loading radial	60 N
Max. Permissible shaft loading axial	50 N

Bearings

Bearings type	2 precision ball bearings
Nominale service life	1 x 10 ⁹ revs. at 100 % rated shaft load 1 x 10 ¹⁰ revs. at 40 % rated shaft load 1 x 10 ¹¹ revs. at 20 % rated shaft load

Max. operating speed	8000 rpm
----------------------	----------

Machinery Directive: basic data safety integrity level

MTTF _d	300 a
Mission time (TM)	20 a
Nominale service life (L10h)	1 x 10 ¹¹ revs. at 20 % rated shaft load and 8000 rpm
Diagnostic coverage (DC)	0 %

Electrical Data

Power supply/Current consumption	10 VDC up to 32 VDC: typ. 125 mA
Power consumption	typ. 3 W

Sensor data

Single-turn technology	innovativ hall sensor technology
Single-turn resolution	up to 65,536 steps/360° (16 bit)
Single-turn accuracy	± 0.0878° (12 bit)
Single-turn repeat accuracy	± 0.0878° (12 bit)
Internal cycle time	50 µs
Multi-turn technology	patented EnDra® technology no battery and no gear.
Multi-turn resolution	43 bit

Integrated web server:

Configurable	Selectable: PROFINET-IO, EtherNet/IP, EtherCAT IP address Subnet mask Gateway address
Readable	Encoder parameters
Update	Firmware

Environmental data

ESD (DIN EN 61000-4-2):	8 kV
Burst (DIN EN 61000-4-4):	2 kV
includes EMC:	DIN EN 61000-6-2 DIN EN 61000-6-3
Vibration: (DIN EN 60068-2-6)	200 m/s ² (10 Hz up to 1000 Hz)
Shock: (DIN EN 60068-2-27)	5000 m/s ² (6 ms)
Design:	according DIN VDE 0160
Turn on time:	<1,5 s

Duty information

Customs tariff number:	90318020
Country of origin:	Germany

Interface

Interface:	Universal Industrial Ethernet
Protocol:	selectable (PROFINET-IO, EtherCAT, EtherNET/IP)
Data Transfer:	100BASE-TX
Function:	Multiturn
Code:	binary, CW default, programable
Features, physical layer, cycle times, functions, parameters, objects and characteristics	Details can be found at the respective products with the individual interface.
Diagnostics: (LED)	Traffic and connection management: L/A1: Port 1 L/A2: Port 2
Status LED:	STAT, MOD: status of encoder and bus

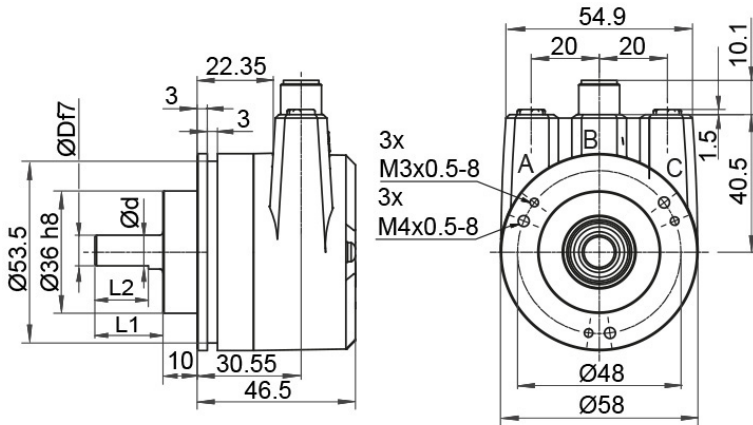
General Data

Weight	approx. 700 g, approx. 24.7 oz
Connections	bus cover
Protection rating (EN 60529)	Housing: IP65, IP67; shaft sealed: IP65
Operating temperature	-40 °C up to +85 °C, -40 °F up to +176 °F
Storage temperature	-40 °C up to +100 °C, -40 °F up to +212 °F

More Information

General technical data and safety instructions	http://www.wachendorff-automation.com/gtd
Options	http://www.wachendorff-automation.com/acc

WDGA 58F, Universal IE, BI2, bus cover with 3x M12x1



- D = 6, L1 = 12, d = 5.3, L2 = 10 shaft with flat
- D = 8, L1 = 20, d = 7.5, L2 = 15 shaft with flat
- D = 10, L1 = 20 shaft with out flat
- D = 3/8", L1 = 20, d = 8.3, L2 = 10 shaft with flat

Description

BI2 Bus cover with 3x M12x1

Assignments	
	BI2
Female connector (Port1)	M12x1, 4-pin, D-coded
Tx+	1
Rx+	2
Tx-	3
Rx-	4

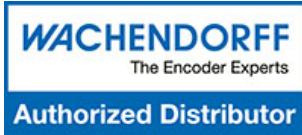
Assignments	
	BI2
connector (Power)	M12x1, 4-pin, A-coded
(+) Vcc	1
n. c.	2
GND	3
n. c.	4

Assignments	
	BI2
Female connector (Port2)	M12x1, 4-pin, D-coded
Tx+	1
Rx+	2
Tx-	3
Rx-	4

Example Order No.	Type	Your encoder	
WDGA 58F	WDGA 58F	WDGA 58F	
	Shaft	Order key	
10	Ø 6 mm	06	
	Ø 8 mm	08	
	Ø 10 mm	10	
	Ø 9.525 mm	4Z	
	Single-turn Resolution	Order key	
16	Single-turn resolution 16 bit	16	
	Multi-turn Resolution	Order key	
43	Multi-turn 43 bit	43	
	Data protocol	Order key	
IE	Universal IE (with bus cover)	IE	
	Software	Order key	
U	up to date release	U	
	Code	Order key	
B	binary	B	
	Power supply	Order key	
0	10 V up to 32 V (standard)	0	
	Galvanic isolation	Order key	
1	yes	1	
	Electrical connections	Order key	
BI2	Connection cover:		
	Bus cover with 3x M12x1	BI2	

Example Order No.	WDGA 58F	10	16	43	IE	U	B	0	1	BI2
--------------------------	----------	----	----	----	----	---	---	---	---	-----

WDGA 58F										Example Order No.
----------	--	--	--	--	--	--	--	--	--	--------------------------



For further information please contact our local distributor.
Here you find a list of our distributors worldwide.
<https://www.wachendorff-automation.com/contact-sales-en/>

WACHENDORFF

Wachendorff Automation GmbH & Co. KG
Industriestrasse 7 • 65366 Geisenheim
Germany

Phone: +49 67 22 / 99 65 25
E-Mail: wdg@wachendorff.de
www.wachendorff-automation.de

