



# Online Data sheet

## Encoder WDGA 58E CANopen LIFT

[www.wachendorff-automation.com/wdga58ecanlift](http://www.wachendorff-automation.com/wdga58ecanlift)

### Wachendorff Automation

#### ... systems and encoders

- Complete systems
- Industrial rugged encoders to suit your application
- Standard range and customer versions
- Maximum permissible loads
- 48-hour express production
- Made in Germany
- Worldwide distributor network

# Encoder WDGA 58E absolute CANopen LIFT magnetic, with EnDra®-Technology



**EnDra®**  
Technologie

**CANopen LIFT**

- EnDra® multiturn technology: maintenance-free and environmentally friendly
- CANopen LIFT, Single-turn/Multi-turn
- Communication Profile according to CiA 301
- Application Profile CANopen Lift CiA 417
- Single-turn/Multi-turn (16 bit / 32 bit)
- Future-oriented technology with 32 Bit processor

[www.wachendorff-automation.com/wdga58ecanlift](http://www.wachendorff-automation.com/wdga58ecanlift)

Mechanical Data	
<b>Housing</b>	
Flange	hollow shaft (blind-bored)
Flange material	aluminum
Housing cap	Aluminum die cast, powder coated; Integrated magnetic shielding
Torque supports	incl. 1 torque support WDGDS10001
- 1. Spring plate compensation	axial: ±0.8 mm, radial: ±0.2 mm
- Max. operating speed	6000 rpm up to max. protection rating +60 °C
- 2. Cylinder pin 4 mm	needs accessories WDGDS10005
- Compensation	axial: ±0.5 mm, radial: ±1.5 mm, Max. operating speed: 3000 rpm
Housing	Ø 58 mm
<b>Shaft(s)</b>	
Shaft material	stainless steel
Starting torque	approx. 1.6 Ncm at ambient temperature
Fixing	permanently attached clamping ring
Shaft	Ø 6 mm
Advice	with adapter sleeve
Shaft length	L: 12 mm
Insertion depth min.	11 mm
Insertion depth max.	15 mm
Max. Permissible shaft loading radial	80 N
Max. Permissible shaft loading axial	50 N
Shaft	Ø 6.35 mm
Advice	with adapter sleeve
Shaft length	L: 12 mm
Insertion depth min.	11 mm
Insertion depth max.	15 mm
Max. Permissible shaft loading radial	80 N
Max. Permissible shaft loading axial	50 N
Shaft	Ø 7 mm
Advice	with adapter sleeve
Shaft length	L: 12 mm
Insertion depth min.	11 mm
Insertion depth max.	15 mm
Max. Permissible shaft loading radial	80 N

Max. Permissible shaft loading axial	50 N
Shaft	Ø 8 mm
Advice	with adapter sleeve
Shaft length	L: 12 mm
Insertion depth min.	11 mm
Insertion depth max.	15 mm
Max. Permissible shaft loading radial	80 N
Max. Permissible shaft loading axial	50 N
Shaft	Ø 9.525 mm, Ø 3/8"
Advice	with adapter sleeve
Shaft length	L: 12 mm
Insertion depth min.	11 mm
Insertion depth max.	15 mm
Max. Permissible shaft loading radial	80 N
Max. Permissible shaft loading axial	50 N
Shaft	Ø 10 mm
Advice	with adapter sleeve
Shaft length	L: 12 mm
Insertion depth min.	11 mm
Insertion depth max.	15 mm
Max. Permissible shaft loading radial	80 N
Max. Permissible shaft loading axial	50 N
Shaft	Ø 12 mm
Shaft length	L: 12 mm
Insertion depth min.	11 mm
Insertion depth max.	15 mm
Max. Permissible shaft loading radial	80 N
Max. Permissible shaft loading axial	50 N
Shaft	Ø 14 mm
Shaft length	L: 12 mm
Insertion depth min.	11 mm
Insertion depth max.	15 mm
Max. Permissible shaft loading radial	80 N

Max. Permissible shaft loading axial	50 N
Shaft	Ø 15 mm
Shaft length	L: 12 mm
Insertion depth min.	11 mm
Insertion depth max.	15 mm
Max. Permissible shaft loading radial	80 N
Max. Permissible shaft loading axial	50 N

#### Bearings

Bearings type	2 precision ball bearings
Nominal service life	1 x 10 <sup>9</sup> revs. at 100 % rated shaft load 1 x 10 <sup>10</sup> revs. at 40 % rated shaft load 1 x 10 <sup>11</sup> revs. at 20 % rated shaft load
Max. operating speed	6000 rpm

#### Machinery Directive: basic data safety integrity level

MTTF <sub>d</sub>	1000 a
Mission time (TM)	20 a
Nominal service life (L10h)	1 x 10 <sup>11</sup> revs. at 20 % rated shaft load and 6000 rpm
Diagnostic coverage (DC)	0 %

#### Electrical Data

Power supply/Current consumption	4,75 VDC up to 32 VDC: typ. 50 mA
Power consumption	max. 0.5 W

#### Sensor data

Single-turn technology	innovative hall sensor technology
Single-turn resolution	65,536 steps/360° (16 bit)
Single-turn accuracy	± 0.0878° ( 12 bit)
Single-turn repeat accuracy	± 0.0878° ( 12 bit)
Internal cycle time	600 µs
Multi-turn technology	patented EnDra® technology no battery and no gear.
Multi-turn resolution	up to 32 bit

#### Environmental data

ESD (DIN EN 61000-4-2):	8 kV
Burst (DIN EN 61000-4-4):	2 kV
Includes EMC:	DIN EN 61000-6-2 DIN EN 61000-6-3 DIN EN 61326-1
Vibration: (DIN EN 60068-2-6)	300 m/s <sup>2</sup> (10 Hz up to 2000 Hz)
Shock: (DIN EN 60068-2-27)	5000 m/s <sup>2</sup> (6 ms)
Design:	According DIN VDE 0160
Turn on time:	<1,5 s

#### Duty information

Customs tariff number:	90318020
Country of origin:	Germany

#### Interface

Interface:	<b>CAN</b>
------------	------------

Protocol:	CANopen <ul style="list-style-type: none"> <li>• Communication profil CiA 301</li> <li>• Application Profile CANopen LIFT CiA 417 V2.0</li> <li>• Up to three virtual devices <i>car position unit (configurable)</i></li> </ul>
-----------	--

Node number:	1 up to 127 (default 4)
Baud rate:	10 kBaud up to 1 MBaud with automatic bit rate detection.

Advice:	The standard settings as well as any customization in the software can be changed via LSS (CiA 305) and the SDO protocol, e. g. PDOs, Scaling, Heartbeat, Node-ID, Baud rate, etc.
---------	--

Programmable CAN transmission modes:	<b>Synchronous mode:</b> when a synchronisation telegram (SYNC) is received from another bus node, PDOs are transmitted independently. <b>Asynchronous mode:</b> a PDO message is triggered by an internal event. (e.g. change of measured valued, internal timer, etc.)
--------------------------------------	---

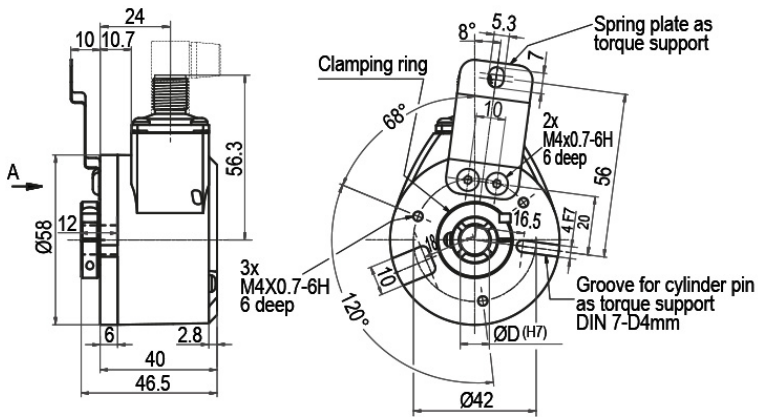
#### General Data

Weight	approx. 220 g
Connections	cable or connector, radial
Protection rating (EN 60529)	Housing: IP65, IP67; shaft sealed: IP65
Operating temperature	-40 °C up to +85 °C
Storage temperature	-40 °C up to +100 °C

#### More Information

General technical data and safety instructions  
<http://www.wachendorff-automation.com/gtd>  
Options  
<http://www.wachendorff-automation.com/acc>

**Connector, M12x1, radial, CC5, 5-pin**

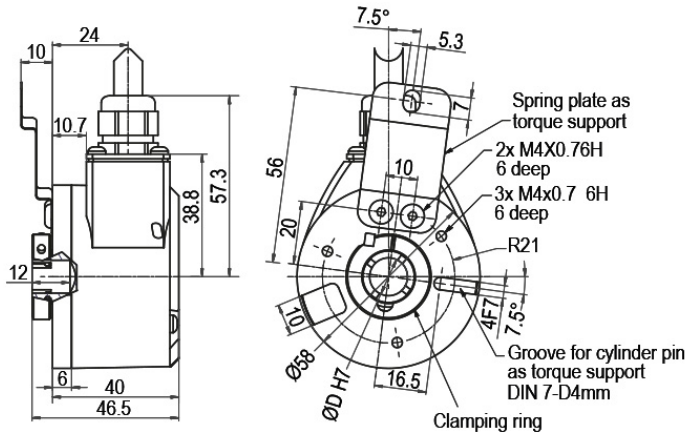


**Description**

**CC5** radial, 5-pin, shield connected to encoder housing

Assignments	
	<p><b>CC5</b></p>
<b>(+) Vcc</b>	2
<b>GND</b>	3
<b>CANHigh</b>	4
<b>CANLow</b>	5
<b>CANGND shield</b>	1

**Cable connection, L3 radial with 2 m cable**



**Description**

**L3** radial, shield connected to encoder housing

Assignments	
	<b>L3</b>
<b>(+) Vcc</b>	BN
<b>GND</b>	WH
<b>CANHigh</b>	GN
<b>CANLow</b>	YE
<b>CANGND shield</b>	shield

## Options

### 120 Ohm terminating resistor

### Order key

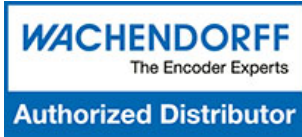
The encoder WDGA 58E CANopen LIFT is also available with fixed 120 Ohm terminating resistor.

**AEO**

Example Order No.	Type	Your encoder	
WDGA 58E	WDGA 58E	WDGA 58E	
	<b>Shaft</b>	<b>Order key</b>	
06	Ø 6 mm with adapter sleeve	06	
	Ø 6.35 mm with adapter sleeve	2Z	
	Ø 7 mm with adapter sleeve	07	
	Ø 8 mm with adapter sleeve	08	
	Ø 9.525 mm Ø 3/8" with adapter sleeve	4Z	
	Ø 10 mm with adapter sleeve	10	
	Ø 12 mm	12	
	Ø 14 mm	14	
	Ø 15 mm	15	
	<b>Single-turn Resolution</b>	<b>Order key</b>	
12	Single-turn resolution 1 bit up to 16 bit: (e. G. 12 bit)	12	
	<b>Multi-turn Resolution</b>	<b>Order key</b>	
18	Multi-turn resolution 1 bit up to 32 bit: (e. G. 18 bit) (Single-turn + Multi-turn max. 32 bit)	18	
	<b>Data protocol</b>	<b>Order key</b>	
CL	CANopen LIFT	CL	
	<b>Software</b>	<b>Order key</b>	
A	up to date release	A	
	<b>Code</b>	<b>Order key</b>	
B	binary	B	
	<b>Power supply</b>	<b>Order key</b>	
0	4.75 V up to 32 V (standard)	0	
	<b>Galvanic isolation</b>	<b>Order key</b>	
0	no	0	
	<b>Electrical connections</b>	<b>Order key</b>	
CC5	<b>Cable:</b> radial, shield connected to encoder housing, with 2 m cable	L3	
	<b>Connector:</b> sensor-connector, M12x1, 5-pin, radial, shield connected to encoder housing	CC5	
	<b>Options</b>	<b>Order key</b>	
	Without option	Empty	
	120 Ohm terminating resistor	AEO	

Example Order No.	WDGA 58E	06	12	18	CL	A	B	0	0	CC5	
-------------------	----------	----	----	----	----	---	---	---	---	-----	--

WDGA 58E											Example Order No.
----------	--	--	--	--	--	--	--	--	--	--	-------------------



For further information please contact our local distributor.  
Here you find a list of our distributors worldwide.  
<https://www.wachendorff-automation.com/contact-sales-en/>

# WACHENDORFF

Wachendorff Automation GmbH & Co. KG  
Industriestrasse 7 • 65366 Geisenheim  
Germany

Phone: +49 67 22 / 99 65 25  
E-Mail: [wdg@wachendorff.de](mailto:wdg@wachendorff.de)  
[www.wachendorff-automation.de](http://www.wachendorff-automation.de)

