



Online Data sheet

Encoder WDGA 58D CANopen galv. isolation

www.wachendorff-automation.com/wdga58dcangalv

Wachendorff Automation

... systems and encoders

- Complete systems
- Industrial rugged encoders to suit your application
- Standard range and customer versions
- Maximum permissible loads
- 48-hour express production
- Made in Germany
- Worldwide distributor network

Encoder WDGA 58D absolute CANopen galv. isolation, magnetic, with EnDra®- Technology



EnDra®
Technologie

CANopen®

Heavy duty

- EnDra®: maintenance-free and environmentally friendly
- CANopen, Single-turn/Multi-turn
- Galvanic isolation
- Communication Profile according to CiA 301
- Device Profile for encoder CiA 406 V3.2 class C2
- Single-turn/Multi-turn (16 bit/43 bit)
- Forward-looking technology with 32 Bit processor
- 2-colour-LED as indicator for operating condition and error message appropriate CiA 303-3
- High shaft load up to 500 N radial, 500 N axial

www.wachendorff-automation.com/wdga58dcangalv

Mechanical Data

Housing	
Flange	clamping flange
Flange material	aluminum
Housing cap	steel case chrome-plated, magnetic shielding
Housing	Ø 58 mm

Shaft(s)	
Shaft material	stainless steel
Starting torque	approx. 1 Ncm at ambient temperature

Shaft	Ø 12 mm
Shaft length	L: 25 mm
Max. Permissible shaft loading radial	500 N
Max. Permissible shaft loading axial	500 N

Bearings	
Bearings type	3 precision ball bearings
Nominal service life	2 x 10 ⁸ revs. at 100 % rated shaft load 3.5 x 10 ⁹ revs. at 40 % rated shaft load 2.5 x 10 ¹⁰ revs. at 20 % rated shaft load
Max. operating speed	8000 rpm

Electrical Data	
Power supply/Current consumption	10 VDC up to 32 VDC: typ. 100 mA
Power consumption	max. 1 W

Sensor data	
Single-turn technology	innovative hall sensor technology
Single-turn resolution	65,536 steps/360° (16 bit)
Single-turn accuracy	± 0.0878° (12 bit)
Single-turn repeat accuracy	± 0.0878° (12 bit)
Internal cycle time	600 µs
Multi-turn technology	patented EnDra® technology no battery and no gear.
Multi-turn resolution	up to 32 bit with high precision value up to 43 bit.

Environmental data	
ESD (DIN EN 61000-4-2):	8 kV

Burst (DIN EN 61000-4-4):	2 kV
includes EMC:	DIN EN 61000-6-2 DIN EN 61000-6-3 DIN EN 61326-1
Vibration: (DIN EN 60068-2-6)	50 m/s ² (10 Hz up to 2000 Hz)
Shock: (DIN EN 60068-2-27)	5000 m/s ² (6 ms)
Design:	according DIN VDE 0160
Turn on time:	<1,5 s

Duty information	
Customs tariff number:	90318020
Country of origin:	Germany

Interface	
Interface:	CAN
Protocol:	CANopen <ul style="list-style-type: none"> • Communication profil CiA 301 • Device Profile for encoder CiA 406 V3.2 class C2
Node number:	1 up to 127 (default 127)
Baud rate:	50 kBaud up to 1 MBaud with automatic bit rate detection.
Advice:	The standard settings as well as any customization in the software can be changed via LSS (CiA 305) and the SDO protocol, e. g. PDOs, Scaling, Heartbeat, Node-ID, Baud rate, etc.
Programmable CAN transmission modes:	Synchronous mode: when a synchronisation telegram (SYNC) is received from another bus node, PDOs are transmitted independently. Asynchronous mode: a PDO message is triggered by an internal event. (e.g. change of measured valued, internal timer, etc.)

General Data	
Connections	cable or connector outlet
Protection rating (EN 60529)	Housing: IP65, IP67; shaft sealed: IP65
Operating temperature	-40 °C up to +85 °C
Storage temperature	-40 °C up to +100 °C

More Information

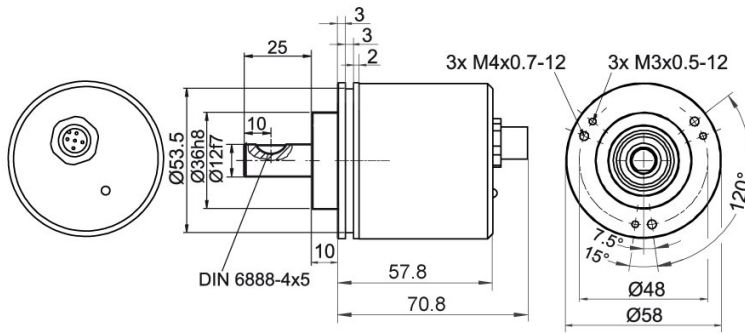
General technical data and safety instructions

<http://www.wachendorff-automation.com/gtd>

Options

<http://www.wachendorff-automation.com/acc>

WDGA 58D CANopen, galv. isolation, with M12x1, axial CB5, 5-pin

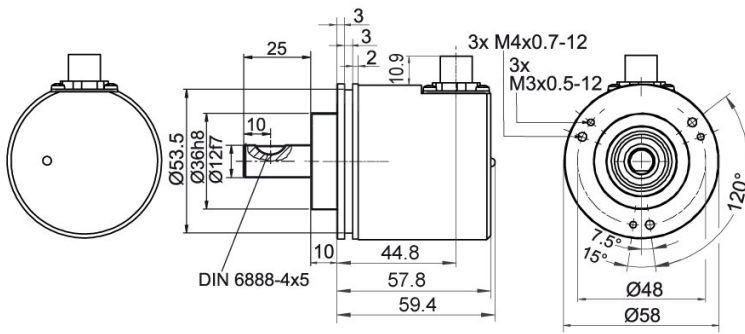


Description

CB5 axial, 5-pin, shield connected to encoder housing

Assignments	
	CB5
(+) Vcc	2
GND	3
CANHigh	4
CANLow	5
CANGND shield	1

WDGA 58D CANopen, galv. isolation, with M12x1, CC5, radial, 5-pin

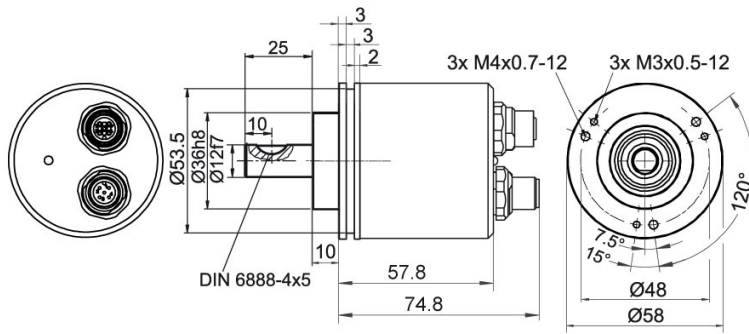


Description

CC5 radial, 5-pin, shield connected to encoder housing

Assignments	
	CC5
(+) Vcc	2
GND	3
CANHigh	4
CANLow	5
CANGND shield	1

WDGA 58D CANopen, galv. isolation, with 2x M12x1, axial DB5



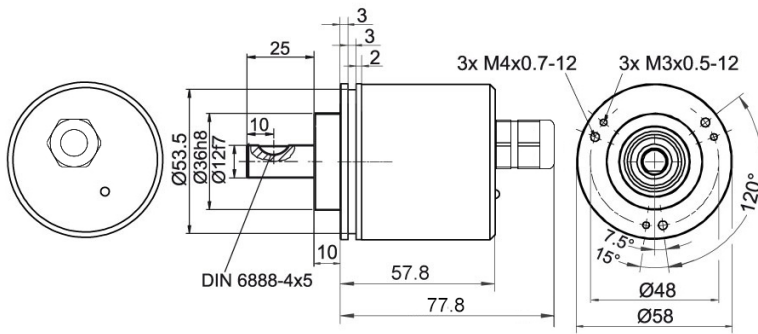
Description

DB5 axial, 5-pin, shield connected to encoder housing

Assignments	
	DB5
Female connector	M12x1, 5-pin
(+) Vcc	2
GND	3
CANHigh	4
CANLow	5
CANGND shield	1

Assignments	
	DB5
Connector	M12x1, 5-pin
(+) Vcc	2
GND	3
CANHigh	4
CANLow	5
CANGND shield	1

WDGA 58D CANopen, galv. isolation, cable connection, L2 axial with 2 m cable

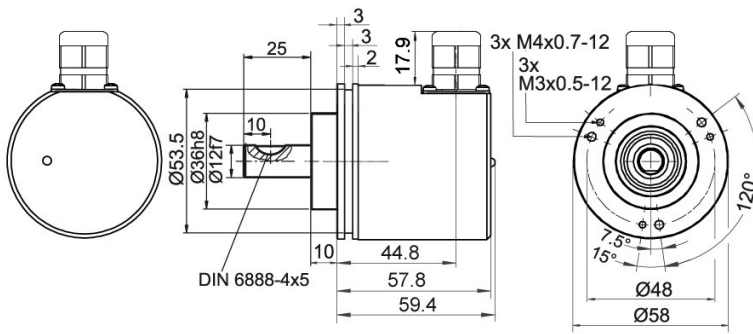


Description

L2 axial, shield connected to encoder housing

Assignments	
	L2
(+) Vcc	BN
GND	WH
CANHigh	GN
CANLow	YE
CANGND shield	shield

WDGA 58D CANopen, galv. isolation, cable connection, L3 radial with 2 m cable



Description

L3 radial, shield connected to encoder housing

Assignments	
	L3
(+) Vcc	BN
GND	WH
CANHigh	GN
CANLow	YE
CANGND shield	shield

Options

120 Ohm terminating resistor

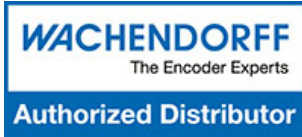
Order key

The encoder WDGA 58D CANopen galv. is also available with fixed 120 Ohm terminating resistor. **AEO**

Example Order No.	Type	Your encoder	
WDGA 58D	WDGA 58D	WDGA 58D	
	Shaft	Order key	
12	Ø 12 mm	12	
	Single-turn Resolution	Order key	
12	Single-turn resolution 1 bit up to 16 bit: (e. G. 12 bit)	12	
	Multi-turn Resolution	Order key	
18	Multi-turn resolution: (examples) 18 bit = 18 43 bit = 43 no Multiturn = 00	18	
	Data protocol	Order key	
CO	CANopen (galv. isolation)	CO	
	Software	Order key	
A	up to date release	A	
	Code	Order key	
B	binary	B	
	Power supply	Order key	
0	10 V up to 32 V (standard)	0	
	Galvanic isolation	Order key	
1	yes	1	
	Electrical connections	Order key	
CB5	Cable:		
	axial, shield connected to encoder housing, with 2 m cable	L2	
	radial, shield connected to encoder housing, with 2 m cable	L3	
	Connector:		
	sensor-connector, M12x1, 5-pin, axial, shield connected to encoder housing	CB5	
	sensor-connector, M12x1, 5-pin, radial, shield connected to encoder housing	CC5	
sensor-connector/female connector, 2x M12x1, 5-pin, axial, shield connected to encoder housing	DB5		
	Options	Order key	
	Without option	Empty	
	120 Ohm terminating resistor	AEO	

Example Order No.	WDGA 58D	12	12	18	CO	A	B	0	1	CB5	
--------------------------	----------	----	----	----	----	---	---	---	---	-----	--

WDGA 58D											Example Order No.
----------	--	--	--	--	--	--	--	--	--	--	--------------------------



For further information please contact our local distributor.
Here you find a list of our distributors worldwide.
<https://www.wachendorff-automation.com/contact-sales-en/>

WACHENDORFF

Wachendorff Automation GmbH & Co. KG
Industriestrasse 7 • 65366 Geisenheim
Germany

Phone: +49 67 22 / 99 65 25
E-Mail: wdg@wachendorff.de
www.wachendorff-automation.de

