



# Online Data sheet

## Encoder WDGA 58B CANopen LIFT galv. isolation

[www.wachendorff-automation.com/wdga58bcanliftgalv](http://www.wachendorff-automation.com/wdga58bcanliftgalv)

### Wachendorff Automation

#### ... systems and encoders

- Complete systems
- Industrial rugged encoders to suit your application
- Standard range and customer versions
- Maximum permissible loads
- 48-hour express production
- Made in Germany
- Worldwide distributor network

# Encoder WDGA 58B absolute CANopen LIFT galv. isolation, magnetic, with EnDra®- Technology



**EnDra®**  
Technologie

**CANopen LIFT**

- EnDra® maintenance-free and environmentally friendly
- CANopen LIFT, Single-turn/Multi-turn
- Communication Profile according to CiA 301
- Application Profile CANopen Lift CiA 417
- Single-turn/Multi-turn (16 bit / 32 bit)
- Future-oriented technology with 32 Bit processor
- 2-colour-LED as indicator for operating condition and error message appropriate CiA 303-3
- High shaft load up to 220 N radial, 120 N axial

[www.wachendorff-automation.com/wdga58bcanliftgalv](http://www.wachendorff-automation.com/wdga58bcanliftgalv)

## Mechanical Data

### Housing

Flange	clamping flange
Flange material	aluminum
Housing cap	steel case chrome-plated, magnetic shielding
Housing	Ø 58 mm

### Shaft(s)

Shaft material	stainless steel
Starting torque	approx. 1 Ncm at ambient temperature, approx. 1.416 in-ozf at ambient temperature

Shaft	Ø 6 mm
Advice	Attention: No option AAO = full IP67 version
Shaft length	L: 12 mm
Max. Permissible shaft loading radial	125 N
Max. Permissible shaft loading axial	120 N

Shaft	Ø 8 mm
Advice	Attention: No option AAO = full IP67 version
Shaft length	L: 19 mm
Max. Permissible shaft loading radial	125 N
Max. Permissible shaft loading axial	120 N

Shaft	Ø 10 mm
Shaft length	L: 20 mm
Max. Permissible shaft loading radial	220 N
Max. Permissible shaft loading axial	120 N

Shaft	Ø 9.525 mm, Ø 3/8"
Advice	Attention: No option AAO = full IP67 version
Shaft length	L: 20 mm, L: 0.787 in
Max. Permissible shaft loading radial	220 N, 22.434 kp
Max. Permissible shaft loading axial	120 N, 12.237 kp

### Bearings

Bearings type	2 precision ball bearings
---------------	---------------------------

Nominale service life	1 x 10 <sup>9</sup> revs. at 100 % rated shaft load 1 x 10 <sup>10</sup> revs. at 40 % rated shaft load 1 x 10 <sup>11</sup> revs. at 20 % rated shaft load
Max. operating speed	8000 rpm

## Electrical Data

Power supply/Current consumption	10 VDC up to 32 VDC: typ. 100 mA
Power consumption	max. 1 W

## Sensor data

Single-turn technology	innovative hall sensor technology
Single-turn resolution	65,536 steps/360° (16 bit)
Single-turn accuracy	± 0.0878° ( 12 bit)
Single-turn repeat accuracy	± 0.0878° ( 12 bit)
Internal cycle time	600 µs
Multi-turn technology	patented EnDra® technology no battery and no gear.
Multi-turn resolution	up to 32 bit

## Environmental data

ESD (DIN EN 61000-4-2):	8 kV
Burst (DIN EN 61000-4-4):	2 kV
includes EMC:	DIN EN 61000-6-2 DIN EN 61000-6-3 DIN EN 61326-1
Vibration: (DIN EN 60068-2-6)	50 m/s <sup>2</sup> (10 Hz up to 2000 Hz)
Shock: (DIN EN 60068-2-27)	5000 m/s <sup>2</sup> (6 ms)
Design:	according DIN VDE 0160
Turn on time:	<1,5 s

## Duty information

Customs tariff number:	90318020
Country of origin:	Germany

## Interface

Interface:	<b>CAN</b>
------------	------------

Protocol:	CANopen <ul style="list-style-type: none"> <li>• Communication profil CiA 301</li> <li>• Application Profile CANopen LIFT CiA 417 V2.0</li> <li>• Up to three virtual devices <i>car position unit (configurable)</i></li> </ul>
Node number:	1 up to 127 (default 4)
Baud rate:	50 kBaud up to 1 MBaud with automatic bit rate detection.
Advice:	The standard settings as well as any customization in the software can be changed via LSS (CiA 305) and the SDO protocol, e. g. PDOs, Scaling, Heartbeat, Node-ID, Baud rate, etc.
Programmable CAN transmission modes:	<p><b>Synchronous mode:</b> when a synchronisation telegram (SYNC) is received from another bus node, PDOs are transmitted independently.</p> <p><b>Asynchronous mode:</b> a PDO message is triggered by an internal event. (e.g. change of measured valued, internal timer, etc.)</p>

#### General Data

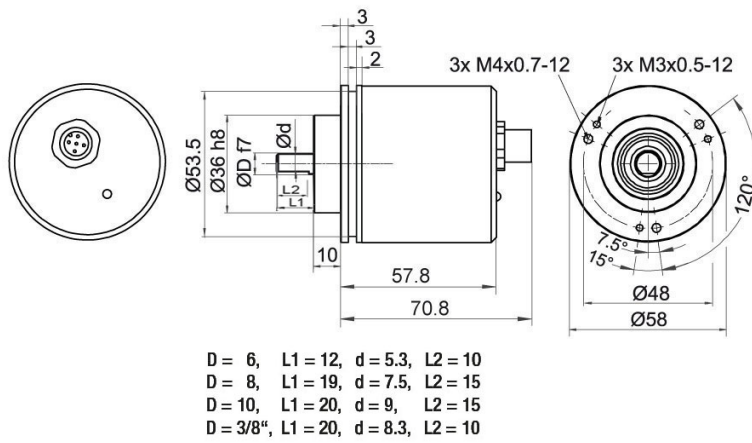
Connections	cable or connector outlet
Protection rating (EN 60529)	Housing: IP65, IP67; shaft sealed: IP65 (SE9: max. IP40)
Operating temperature	-40 °C up to +85 °C, -40 °F up to +176 °F
Storage temperature	-40 °C up to +100 °C, -40 °F up to +212 °F

#### More Information

General technical data and safety instructions  
<http://www.wachendorff-automation.com/gtd>

Options  
<http://www.wachendorff-automation.com/acc>

**WDGA 58B CANopen LIFT, galv. isolation, with M12x1, axial CB5, 5-pin**

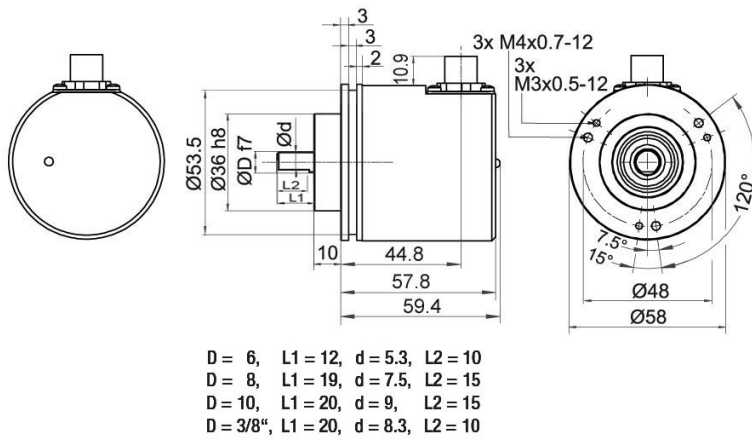


**Description**

**CB5** axial, 5-pin, shield connected to encoder housing

Assignments	
	<p style="text-align: center;"><b>CB5</b></p>
<b>(+) Vcc</b>	2
<b>GND</b>	3
<b>CANHigh</b>	4
<b>CANLow</b>	5
<b>CANGND shield</b>	1

**WDGA 58B CANopen LIFT, galv. isolation, with M12x1, CC5, radial, 5-pin**

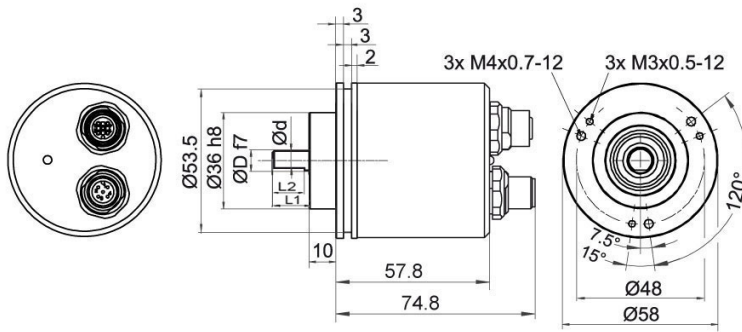


**Description**

**CC5** radial, 5-pin, shield connected to encoder housing

Assignments	
	<p style="text-align: center;"><b>CC5</b></p>
<b>(+) Vcc</b>	2
<b>GND</b>	3
<b>CANHigh</b>	4
<b>CANLow</b>	5
<b>CANGND shield</b>	1

**WDGA 58B CANopen LIFT, galv. isolation, with 2x M12x1, axial DB5**



D = 6, L1 = 12, d = 5.3, L2 = 10  
 D = 8, L1 = 19, d = 7.5, L2 = 15  
 D = 10, L1 = 20, d = 9, L2 = 15  
 D = 3/8", L1 = 20, d = 8.3, L2 = 10

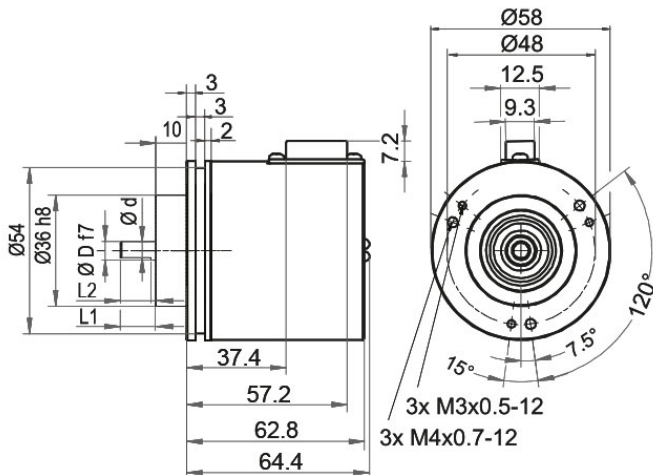
**Description**

**DB5** axial, 5-pin, shield connected to encoder housing

Assignments	
<b>Female connector</b>	M12x1, 5-pin
<b>(+) Vcc</b>	2
<b>GND</b>	3
<b>CANHigh</b>	4
<b>CANLow</b>	5
<b>CANGND shield</b>	1

Assignments	
<b>Connector</b>	M12x1, 5-pin
<b>(+) Vcc</b>	2
<b>GND</b>	3
<b>CANHigh</b>	4
<b>CANLow</b>	5
<b>CANGND shield</b>	1

**WDGA 58B CANopen LIFT, galv. isolation, with D-SUB, radial, 9-pin (IP40)**



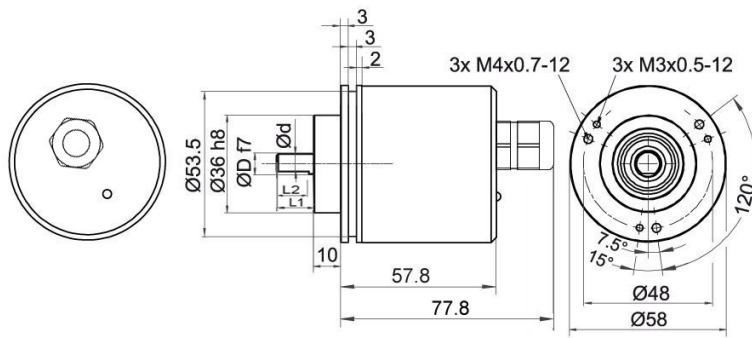
- D = 6, L1 = 12, d = 5.3, L2 = 10
- D = 8, L1 = 19, d = 7.5, L2 = 15
- D = 10, L1 = 20, d = 9, L2 = 15
- D = 3/8", L1 = 20, d = 8.3, L2 = 10

**Description**

**SE9** radial, 9-pin, shield connected to encoder housing (IP40)

Assignments	
	<b>SE9</b>
<b>Connector</b>	D-SUB
<b>(+) Vcc</b>	9
<b>GND</b>	6
<b>CANHigh</b>	7
<b>CANLow</b>	2
<b>CANGND shield</b>	3
<b>n. c.</b>	1, 4, 5, 8

**WDGA 58B CANopen LIFT, galv. isolation, cable connection, L2 axial with 2 m cable**



D = 6, L1 = 12, d = 5.3, L2 = 10  
 D = 8, L1 = 19, d = 7.5, L2 = 15  
 D = 10, L1 = 20, d = 9, L2 = 15  
 D = 3/8", L1 = 20, d = 8.3, L2 = 10

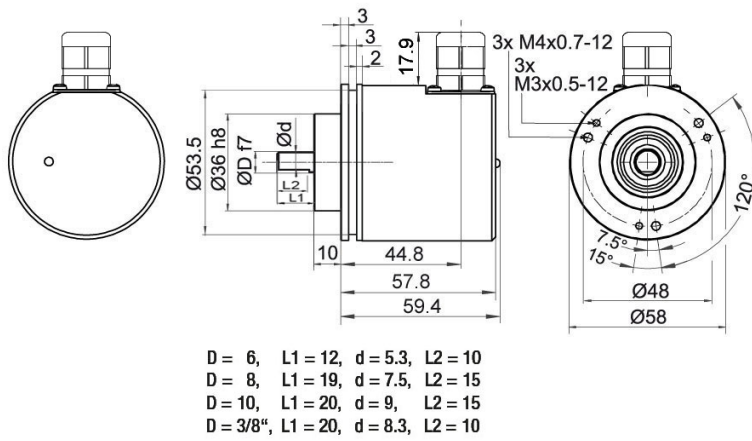
**Description**

**L2** axial, shield connected to encoder housing

Assignments	
	<b>L2</b>
<b>(+) Vcc</b>	BN
<b>GND</b>	WH
<b>CANHigh</b>	GN
<b>CANLow</b>	YE
<b>CANGND shield</b>	shield



**WDGA 58B CANopen LIFT, galv. isolation, cable connection, L3 radial with 2 m cable**



**Description**

**L3** radial, shield connected to encoder housing

Assignments	
	<b>L3</b>
<b>(+) Vcc</b>	BN
<b>GND</b>	WH
<b>CANHigh</b>	GN
<b>CANLow</b>	YE
<b>CANGND shield</b>	shield

**Options****Shafts sealed to IP67, only with 10 mm shaft with flat****Order key**

The encoder WDG 58B CANopen LIFT galv. isolation can be supplied in a IP67 version. (full IP67 only connection CB5, CC5, DB5, L2 or L3 version; connector connection SE9 IP40 only shaft sealed IP67).

**AAO**

Max. RPM: 3500 min<sup>-1</sup>

Permitted Shaft-Loading: axial 100 N; radial 110 N

Starting-torque: approx. 4 Ncm at ambient temperature

**120 Ohm terminating resistor****Order key**

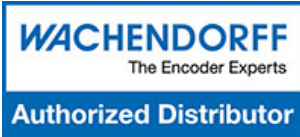
The encoder WDGA 58B CANopen LIFT galv. is also available with fixed 120 Ohm terminating resistor.

**AEO**

Example Order No.	Type	Your encoder
WDGA 58B	WDGA 58B	WDGA 58B
<b>Shaft</b>		
06	Ø 6 mm Attention: No option AAO = full IP67 version	06
	Ø 8 mm Attention: No option AAO = full IP67 version	08
	Ø 10 mm	10
	Ø 9.525 mm Ø 3/8" Attention: No option AAO = full IP67 version	4Z
<b>Single-turn Resolution</b>		
12	Single-turn resolution 1 bit up to 16 bit: (e. G. 12 bit)	12
<b>Multi-turn Resolution</b>		
18	Multi-turn resolution 1 bit up to 32 bit: (e. G. 18 bit) (Single-turn + Multi-turn max. 32 bit)	18
<b>Data protocol</b>		
CL	CANopen LIFT (galv. isolation)	CL
<b>Software</b>		
A	up to date release	A
<b>Code</b>		
B	binary	B
<b>Power supply</b>		
0	10 V up to 32 V (standard)	0
<b>Galvanic isolation</b>		
1	yes	1
<b>Electrical connections</b>		
CB5	<b>Cable:</b>	
	axial, shield connected to encoder housing, with 2 m cable	L2
	radial, shield connected to encoder housing, with 2 m cable	L3
	<b>Connector:</b>	
	sensor-connector, M12x1, 5-pin, axial, shield connected to encoder housing	CB5
	sensor-connector, M12x1, 5-pin, radial, shield connected to encoder housing	CC5
	sensor-connector/female connector, 2x M12x1, 5-pin, axial, shield connected to encoder housing	DB5
connector, D-SUB, 9-pin, radial, IP40, shield connected to encoder housing (IP40)	SE9	
<b>Options</b>		
	Without option	Empty
	Shafts sealed to IP67, only with 10 mm shaft with flat	AAO
	120 Ohm terminating resistor	AEO

<b>Example Order No.</b>	WDGA 58B	06	12	18	CL	A	B	0	1	CB5	
--------------------------	----------	----	----	----	----	---	---	---	---	-----	--

WDGA 58B											<b>Example Order No.</b>
----------	--	--	--	--	--	--	--	--	--	--	--------------------------



For further information please contact our local distributor.  
Here you find a list of our distributors worldwide.  
<https://www.wachendorff-automation.com/contact-sales-en/>

# WACHENDORFF

Wachendorff Automation GmbH & Co. KG  
Industriestrasse 7 • 65366 Geisenheim  
Germany

Phone: +49 67 22 / 99 65 25  
E-Mail: [wdg@wachendorff.de](mailto:wdg@wachendorff.de)  
[www.wachendorff-automation.de](http://www.wachendorff-automation.de)

