



Online Data sheet

Encoder WDGA 58A CAN SAE J1939

www.wachendorff-automation.com/wdga58asaej1939

Wachendorff Automation

... systems and encoders

- Complete systems
- Industrial rugged encoders to suit your application
- Standard range and customer versions
- Maximum permissible loads
- 48-hour express production
- Made in Germany
- Worldwide distributor network

Encoder WDGA 58A absolute CAN SAE J1939 magnetic, with EnDra® Technologie



EnDra®
Technologie

SAE J1939

- EnDra® Technologie: maintenance-free and environmentally friendly
- CAN SAE J1939 protocol
- Single-turn/Multi-turn (16 bit / 32 bit)
- Forward-looking technology with 32 Bit processor
- 2-colour-LED as indicator for operating condition
- High shaft load up to 220 N radial, 120 N axial

www.wachendorff-automation.com/wdga58asaej1939

Mechanical Data

Housing

Flange	synchro flange
Flange material	aluminum
Housing cap	stainless steel
Housing	Ø 58 mm
Cam mounting	pitch 65 mm

Shaft(s)

Shaft material	stainless steel
Starting torque	approx. 1 Ncm at ambient temperature

Shaft	Ø 6 mm
Advice	Attention: No option AAO = full IP67 version
Shaft length	L: 12 mm
Max. Permissible shaft loading radial	125 N
Max. Permissible shaft loading axial	120 N

Shaft	Ø 8 mm
Advice	Attention: No option AAO = full IP67 version
Shaft length	L: 19 mm
Max. Permissible shaft loading radial	125 N
Max. Permissible shaft loading axial	120 N

Shaft	Ø 9.525 mm, Ø 3/8"
Advice	Attention: No option AAO = full IP67 version
Shaft length	L: 20 mm, L: 0.787 in
Max. Permissible shaft loading radial	220 N, 22.434 kp
Max. Permissible shaft loading axial	120 N, 12.237 kp

Shaft	Ø 10 mm
Shaft length	L: 20 mm
Max. Permissible shaft loading radial	220 N
Max. Permissible shaft loading axial	120 N

Bearings

Bearings type	2 precision ball bearings
---------------	---------------------------

Nominale service life	1 x 10 ⁹ revs. at 100 % rated shaft load 1 x 10 ¹⁰ revs. at 40 % rated shaft load 1 x 10 ¹¹ revs. at 20 % rated shaft load
Max. operating speed	8000 rpm

Machinery Directive: basic data safety integrity level

MTTF _d	1000 a
Mission time (TM)	20 a
Nominale service life (L10h)	1 x 10 ¹¹ revs. at 20 % rated shaft load and 8000 rpm
Diagnostic coverage (DC)	0 %

Electrical Data

Power supply/Current consumption	4,75 VDC up to 32 VDC: typ. 50 mA
Power consumption	max. 0.5 W

Sensor data

Single-turn technology	innovative hall sensor technology
Single-turn resolution	65.536 steps/360° (16 bit)
Single-turn accuracy	± 0.0878° (12 bit)
Single-turn repeat accuracy	± 0.0878° (12 bit)
Internal cycle time	600 µs
Multi-turn technology	patented EnDra® technology no battery, no gear.
Multi-turn resolution	up to 32 bit

Environmental data

ESD (DIN EN 61000-4-2):	8 kV
Burst (DIN EN 61000-4-4):	2 kV
Includes EMC:	DIN EN 61000-6-2 DIN EN 61000-6-3 DIN EN 61326-1
Vibration: (DIN EN 60068-2-6)	300 m/s ² (10 Hz up to 2000 Hz)
Shock: (DIN EN 60068-2-27)	5000 m/s ² (6 ms)
Design:	According DIN VDE 0160
Turn on time:	<1,5 s

Duty information

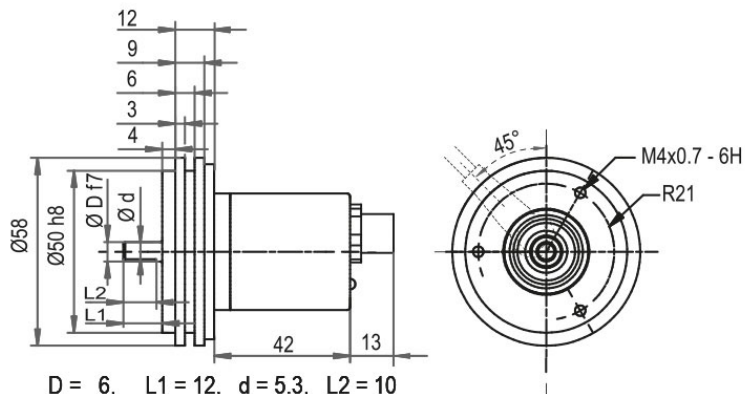
Customs tariff number:	90318020
Country of origin:	Germany

Interface	
Interface:	CAN
CAN physical layer:	ISO 11898 (High Speed CAN)
Protocol:	ISO 11898 (High Speed CAN)
Baud rate:	Auto-Baud-Detection
Standard Preset configuration:	(other configurations on request)
Direction of counting:	(View from shaft end) ccw
ECU-adress:	0x 0A
Process data Identifier:	0x18FF000A
PGN:	0xFF00
Process data mapping:	Byte 0-3 32 Bit Position Value Byte 4 8 Bit Error Register PDU timer and Position Preset can be adjusted by PGN configuration 0xEF00 (Prop. A)
PDU - Time:	50 ms (default)
Configuration - PGN:	0x EF 00 (Prop.A)
Byte 0:	0x 01
Byte 1:	0x FF
Byte 2:	PDU time LSB
Byte 3:	PDU time MSB
Byte 4:	Preset LSB
Byte 5, 6:	Preset
Byte 7:	Preset MSB

General Data	
Weight	approx. 224 g
Connections	cable or connector outlet
Protection rating (EN 60529)	Housing: IP65, IP67; shaft sealed: IP65; cable outlet L1: IP40
Operating temperature	-40 °C up to +85 °C
Storage temperature	-40 °C up to +100 °C

More Information	
General technical data and safety instructions http://www.wachendorff-automation.com/gtd	
Options http://www.wachendorff-automation.com/acc	

Connector, M12x1, axial, CB5, 5-pin



- D = 6, L1 = 12, d = 5.3, L2 = 10
- D = 8, L1 = 19, d = 7.5, L2 = 15
- D = 10, L1 = 20, d = 9, L2 = 15
- D = 3/8", L1 = 20, d = 8.3, L2 = 10

Option AIX:

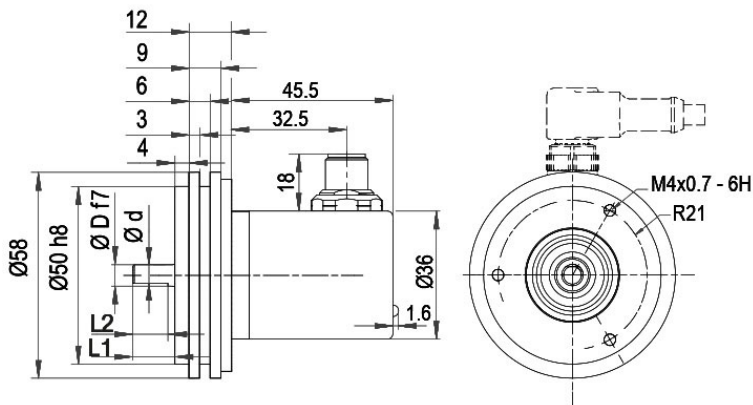
- D = 6, L1 = 10, d = 5.3, L2 = 8

Description

CB5 axial, 5-pin, shield connected to encoder housing

Assignments	
	CB5
(+) Vcc	2
GND	3
CANHigh	4
CANLow	5
CANGND shield	1

Connector, M12x1, radial, CC5, 5-pin



- D = 6, L1 = 12, d = 5.3, L2 = 10
- D = 8, L1 = 19, d = 7.5, L2 = 15
- D = 10, L1 = 20, d = 9, L2 = 15
- D = 3/8", L1 = 20, d = 8.3, L2 = 10

Option AIX:

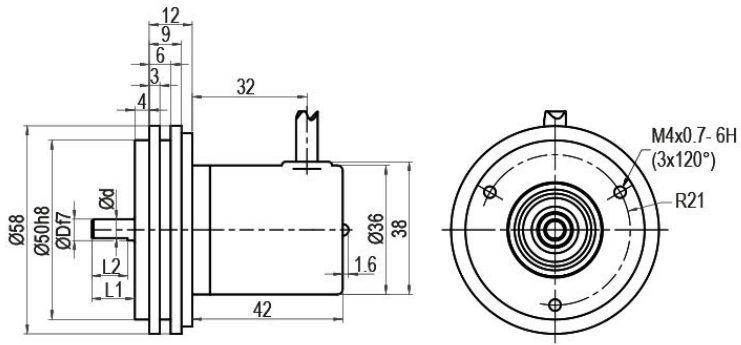
- D = 6, L1 = 10, d = 5.3, L2 = 8

Description

CC5 radial, 5-pin, shield connected to encoder housing

Assignments	
(+) Vcc	2
GND	3
CANHigh	4
CANLow	5
CANGND shield	1

Cable connection, L1 radial with 2 m cable (IP40)



- D = 6, L1 = 12, d = 5.3, L2 = 10
- D = 8, L1 = 19, d = 7.5, L2 = 15
- D = 10, L1 = 20, d = 9, L2 = 15
- D = 3/8", L1 = 20, d = 8.3, L2 = 10

Option AIX:

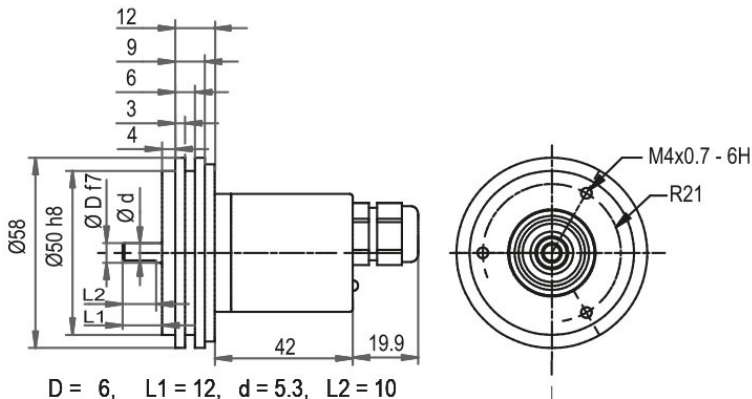
- D = 6, L1 = 10, d = 5.3, L2 = 8

Description

L1 radial, shield connected to encoder housing (IP40)

Assignments	
	L1
(+) Vcc	BN
GND	WH
CANHigh	GN
CANLow	YE
CANGND shield	shield

Cable connection, L2 axial with 2 m cable



- D = 6, L1 = 12, d = 5.3, L2 = 10
- D = 8, L1 = 19, d = 7.5, L2 = 15
- D = 10, L1 = 20, d = 9, L2 = 15
- D = 3/8", L1 = 20, d = 8.3, L2 = 10

Option AIX:

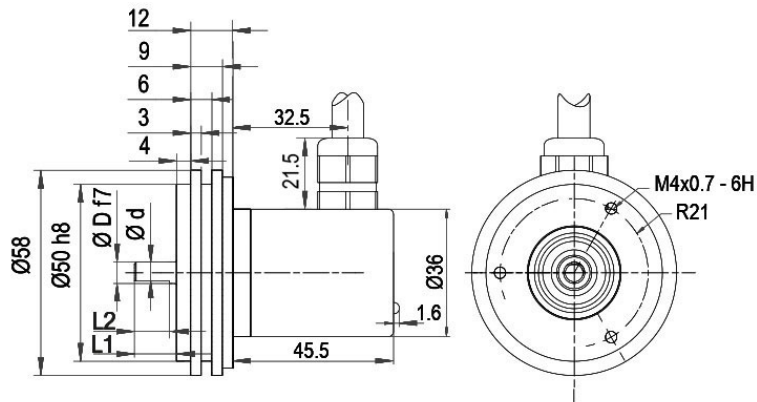
- D = 6, L1 = 10, d = 5.3, L2 = 8

Description

L2 axial, shield connected to encoder housing

Assignments	
	L2
(+) Vcc	BN
GND	WH
CANHigh	GN
CANLow	YE
CANGND shield	shield

Cable connection, L3 radial with 2 m cable



D = 6, L1 = 12, d = 5.3, L2 = 10
 D = 8, L1 = 19, d = 7.5, L2 = 15
 D = 10, L1 = 20, d = 9, L2 = 15
 D = 3/8", L1 = 20, d = 8.3, L2 = 10

Option AIX:

D = 6, L1 = 10, d = 5.3, L2 = 8

Description

L3 radial, shield connected to encoder housing

Assignments	
	L3
(+) Vcc	BN
GND	WH
CANHigh	GN
CANLow	YE
CANGND shield	shield

Options**Shafts sealed to IP67, only with shaft Ø 10 mm****Order key**

The encoder WDG 58A CAN SAE J1939 can be supplied in a IP67 version.
(full IP67 only connection CB5, CC5, L2 or L3 version; not cable connection L1 = IP40).
Max. RPM: 3500 min⁻¹
Permitted Shaft-Loading: axial 100 N; radial 110 N
Starting-torque: approx. 4 Ncm at ambient temperature

AAS**120 Ohm terminating resistor****Order key**

The encoder WDGA 58A CAN SAE J1939 is also available with fixed 120 Ohm terminating resistor.

AEO**Shaft length 10 mm (Ø 6 mm)****Order key**

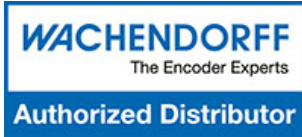
The encoder WDGA 58A CAN SAE J1939 shaft: Ø 6 mm is also available with a shortened shaft L = 10 mm.

AIX

Example Order No.	Type	Your encoder
WDGA 58A	WDGA 58A	WDGA 58A
	Shaft	Order key
10	Ø 6 mm Attention: No option AAO = full IP67 version	06
	Ø 8 mm Attention: No option AAO = full IP67 version	08
	Ø 9.525 mm Ø 3/8" Attention: No option AAO = full IP67 version	4Z
	Ø 10 mm	10
	Single-turn Resolution	Order key
14	Single-turn resolution 1 bit up to 16 bit: (e. G. 14 bit)	14
	Multi-turn Resolution	Order key
18	Multi-turn up to 32 bit (e. G. 18 bit) (Single-turn + Multi-turn max. 32 bit) No Multi-turn: 00	18
	Data protocol	Order key
CJ	CAN SAE J1939	CJ
	Software	Order key
A	up to date release	A
	Code	Order key
B	binary	B
	Power supply	Order key
0	4.75 V up to 32 V (standard)	0
	Galvanic isolation	Order key
0	no	0
	Electrical connections	Order key
CB5	Cable:	
	radial, shield connected to encoder housing (IP40), with 2 m cable	L1
	axial, shield connected to encoder housing, with 2 m cable	L2
	radial, shield connected to encoder housing, with 2 m cable	L3
	Connector:	
	sensor-connector, M12x1, 5-pin, axial, shield connected to encoder housing	CB5
sensor-connector, M12x1, 5-pin, radial, shield connected to encoder housing	CC5	
	Options	Order key
	Without option	Empty
	Shafts sealed to IP67, only with shaft Ø 10 mm	AAS
	120 Ohm terminating resistor	AEO
	Shaft length 10 mm (Ø 6 mm)	AIX

Example Order No.	WDGA 58A	10	14	18	CJ	A	B	0	0	CB5	
--------------------------	----------	----	----	----	----	---	---	---	---	-----	--

WDGA 58A											Example Order No.
----------	--	--	--	--	--	--	--	--	--	--	--------------------------



For further information please contact our local distributor.
Here you find a list of our distributors worldwide.
<https://www.wachendorff-automation.com/contact-sales-en/>

WACHENDORFF

Wachendorff Automation GmbH & Co. KG
Industriestrasse 7 • 65366 Geisenheim
Germany

Phone: +49 67 22 / 99 65 25
E-Mail: wdg@wachendorff.de
www.wachendorff-automation.de

