



# Online Data sheet

## Encoder WDG 58R

[www.wachendorff-automation.com/wdg58r](http://www.wachendorff-automation.com/wdg58r)

### **Wachendorff Automation**

#### **... systems and encoders**

- Complete systems
- Industrial rugged encoders to suit your application
- Standard range and customer versions
- Maximum permissible loads
- 48-hour express production
- Made in Germany
- Worldwide distributor network

# Encoder WDG 58R (optical)



- Rugged industrial standard encoder
- Up to 25000 PPR by use of high grad electronics
- Maximum mechanical and electrical safety
- High noise immunity
- Full connection protection with 10 VDC up to 30 VDC
- High output frequency 600 kHz/2 MHz

[www.wachendorff-automation.com/wdg58r](http://www.wachendorff-automation.com/wdg58r)

## Resolution

Pulses per revolution PPR up to 25000 PPR

## Mechanical Data

### Housing

Flange	stator coupling
Flange material	aluminum
Housing cap	aluminum
Housing	Ø 58 mm

### Shaft(s)

Shaft material	stainless steel
Starting torque	approx. 1 Ncm at ambient temperature

Shaft	Ø Conus 1/10; 9.25 mm
Shaft length	L: 16.5 mm
Max. Permissible shaft loading radial	80 N
Max. Permissible shaft loading axial	60 N

### Bearings

Bearings type	2 precision ball bearings
Nominal service life	1 x 10 <sup>9</sup> revs. at 100 % rated shaft load 1 x 10 <sup>10</sup> revs. at 40 % rated shaft load 1 x 10 <sup>11</sup> revs. at 20 % rated shaft load
Max. operating speed	6000 rpm

## Machinery Directive: basic data safety integrity level

MTTF <sub>d</sub>	200 a
Mission time (TM)	25 a
Nominal service life (L10h)	1 x 10 <sup>11</sup> revs. at 20 % rated shaft load and 6000 rpm
Diagnostic coverage (DC)	0 %

## Electrical Data

Power supply/Current consumption	4,75 VDC up to 5,5 VDC: typ. 100 mA
Power supply/Current consumption	5 VDC up to 30 VDC: typ. 70 mA
Power supply/Current consumption	10 VDC up to 30 VDC: typ. 100 mA
Output circuit	TTL TTL, RS422 compatible, inv. HTL HTL, inv. 1 Vpp sin/cos

Pulse frequency	TTL 5000 ppr: max. 200 kHz HTL 5000 ppr: max. 200 kHz TTL more than 1200 ppr: max. 2 MHz HTL more than 1200 ppr: max. 600 kHz 1 Vpp sin/cos: max. 100 kHz
-----------------	---

Channels	AB ABN and inverted signals
----------	-----------------------------------

Load	max. 40 mA / channel @ 1 Vpp sin/cos: min. 120 Ohm
------	---

Circuit protection	circuit type F24, G24, H24, I24, P24, R24 only
--------------------	--

## Accuracy

Phase offset	90° ± max. 7.5 % of the period duration
pulse-/pause-ratio	5000 ppr: 50 % ± max. 7 % Output circuits F24, P24, F05, P05, 645: 50 % ± max. 10 %

## Environmental data

ESD (DIN EN 61000-4-2):	8 kV
Burst (DIN EN 61000-4-4):	2 kV
includes EMC:	DIN EN 61000-6-2 DIN EN 61000-6-3
Vibration: (DIN EN 60068-2-6)	50 m/s <sup>2</sup> (10 Hz up to 2000 Hz)
Shock: (DIN EN 60068-2-27)	1000 m/s <sup>2</sup> (6 ms)
Design:	according DIN VDE 0160

## Duty information

Customs tariff number:	90318020
Country of origin:	Germany

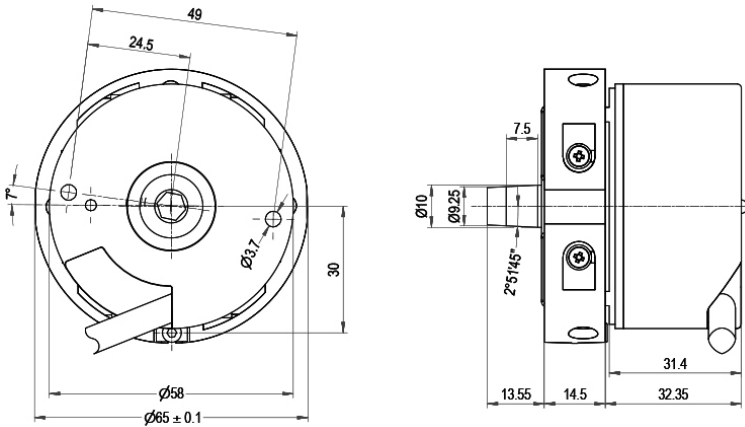
## General Data

Weight	approx. 220 g
Connections	cable output, 2 m, tangential
Protection rating (EN 60529)	Housing: IP65, IP67; shaft sealed: IP65
Operating temperature	-20 °C up to +80 °C 1 Vpp: -10 °C up to +70 °C
Storage temperature	-20 °C up to +80 °C

## More Information

General technical data and safety instructions  
<http://www.wachendorff-automation.com/gtd>  
Options  
<http://www.wachendorff-automation.com/acc>

**WDG 58R: Cable connection T3, tangential, with 2 m cable**



**Description**

**ABN inv. poss.**

**T3** tangential, shield connected to encoder housing

•

Assignments					
	T3	T3	T3	T3	T3
<b>Circuit</b>	G05, G24	F05, H05, F24, H24, H30	I05, I24, 524	P05, R05, P24, R24, 245, 645, R30	SIN
<b>GND</b>	WH	WH	WH	WH	WH
<b>(+) Vcc</b>	BN	BN	BN	BN	BN
<b>A</b>	GN	GN	GN	GN	GN
<b>B</b>	YE	YE	YE	YE	GY
<b>N</b>	GY	GY	GY	GY	-
<b>Light reserve warning</b>	PK	-	PK	-	-
<b>A inv.</b>	-	-	RD	RD	YE
<b>B inv.</b>	-	-	BK, (BU at ACA)	BK, (BU at ACA)	PK
<b>N inv.</b>	-	-	VT	VT	-
<b>Shield</b>	flex	flex	flex	flex	flex

**Options****Cable length**

The encoder WDG 58R can be supplied with more than 2 m cable. The maximum cable length depends on the supply voltage and the frequency; see [www.wachendorff-automation.com/atd](http://www.wachendorff-automation.com/atd)

Please extend the standard order code with a three figure number, specifying the cable length in decimetres.

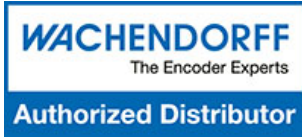
Example: 5 m cable = 050

**Order key**

**XXX = Decimeter**

Example Order No.	Type				Your encoder	
WDG 58R	WDG 58R				WDG 58R	
<b>Pulses per revolution PPR:</b>						
1024	4, 6, 25, 32, 36, 50, 60, 64, 70, 88, 100, 120, 125, 150, 180, 200, 240, 250, 256, 300, 314, 360, 400, 500, 512, 600, 720, 750, 768, 800, 900, 1000, 1024, 1200, 1250, 1270, 1500, 1800, 2000, 2048, 2500, 3000, 3600, 4000, 4096, 5000, 8000, 8192, 10000, 10240, 12500, 16384, 20000, 20480, 25000 1 Vpp Sin/Cos only 1024, 2048 Other PPRs on request					
<b>Channels:</b>						
ABN	AB, ABN (SIN: AB)					
<b>Output circuit</b>						
G24	<b>Resolution PPR</b>	<b>Power supply VDC</b>	<b>Output circuit</b>	<b>Light reserve warning</b>	<b>Order key</b>	
	up to 2500	5 - 30	HTL (TTL at 5 VDC)	-	H30	
		5 - 30	HTL, inv. (TTL/RS422 comp. at 5 VDC)	-	R30	
	up to 5000	4.75 - 5.5	TTL	•	G05	
		4.75 - 5.5	TTL	-	H05	
		4.75 - 5.5	TTL, RS422 comp., inverted	•	I05	
		4.75 - 5.5	TTL, RS422 comp., inverted	-	R05	
		10 - 30	HTL	•	G24	
		10 - 30	HTL	-	H24	
		10 - 30	HTL inverted	•	I24	
		10 - 30	HTL inverted	-	R24	
		10 - 30	TTL, RS422 comp., inverted	•	524	
		10 - 30	TTL, RS422 comp., inverted	-	245	
		(higher frequency) 1200 up to 25000	4.75 - 5.5	TTL	-	F05
			4.75 - 5.5	TTL, RS422 comp., inverted	-	P05
	10 - 30		HTL	-	F24	
	10 - 30		HTL inverted	-	P24	
	10 - 30		TTL, RS422 comp., inverted	-	645	
	1024, 2048	4.75 - 5.5	1 Vpp sin/cos	-	SIN	
	<b>Electrical connections</b>					
T3	<b>Description</b>			<b>ABN inv. poss.</b>	<b>Order key</b>	
	Cable: length (2 m standard, WDG 58T: 1 m) tangential, shield connected to encoder housing			•	T3	
<b>Options</b>						
	<b>Description</b>			<b>Order key</b>		
	Without option			Empty		
	Cable length			XXX = Decimeter		

<b>Example Order No.=</b>	WDG 58R	1024	ABN	G24	T3							<b>Your encoder</b>
---------------------------	---------	------	-----	-----	----	--	--	--	--	--	--	---------------------



For further information please contact our local distributor.  
Here you find a list of our distributors worldwide.  
<https://www.wachendorff-automation.com/contact-sales-en/>

# WACHENDORFF

Wachendorff Automation GmbH & Co. KG  
Industriestrasse 7 • 65366 Geisenheim  
Germany

Phone: +49 67 22 / 99 65 25  
E-Mail: [wdg@wachendorff.de](mailto:wdg@wachendorff.de)  
[www.wachendorff-automation.de](http://www.wachendorff-automation.de)

