



# Online Data sheet

## Encoder WDG 50B

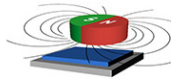
[www.wachendorff-automation.com/wdg50bm](http://www.wachendorff-automation.com/wdg50bm)

### **Wachendorff Automation**

#### **... systems and encoders**

- Complete systems
- Industrial rugged encoders to suit your application
- Standard range and customer versions
- Maximum permissible loads
- 48-hour express production
- Made in Germany
- Worldwide distributor network

# Encoder WDG 50B (magnetic)



- Economic encoder with mechanical carrying of loading
- Protection to IP67, shaft sealed to IP65
- Optional: -40 °C up to +85 °C

[www.wachendorff-automation.com/wdg50bm](http://www.wachendorff-automation.com/wdg50bm)

Resolution	
Pulses per revolution PPR	up to 1024 PPR
Mechanical Data	
Housing	
Flange	clamping flange
Flange material	aluminum
Housing cap	aluminum, powder coated
Housing	Ø 50 mm
Cam mounting	pitch 61 mm
Shaft(s)	
Shaft material	stainless steel
Starting torque	approx. 0.3 Ncm at ambient temperature
Shaft	Ø 8 mm
Shaft length	L: 15 mm
Max. Permissible shaft loading radial	120 N
Max. Permissible shaft loading axial	70 N
Bearings	
Bearings type	2 precision ball bearings
Nominale service life	2 x 10 <sup>8</sup> revs. at 100 % rated shaft load 3 x 10 <sup>9</sup> revs. at 40 % rated shaft load 2 x 10 <sup>10</sup> revs. at 20 % rated shaft load
Max. operating speed	12000 rpm
Machinery Directive: basic data safety integrity level	
MTTF <sub>d</sub>	200 a
Mission time (TM)	25 a
Nominale service life (L10h)	2 x 10 <sup>10</sup> revs. at 20 % rated shaft load and 12000 rpm
Diagnostic coverage (DC)	0 %
Electrical Data	
Power supply/Current consumption	5 VDC up to 30 VDC: typ. 40 mA
Output circuit	HTL (TTL at 5 VDC) HTL, inv. (TTL/RS422 comp. at 5 VDC)
Pulse frequency	1024 ppr: max. 200 kHz
Channels	AB ABN and inverted signals

Load	max. 40 mA / channel
Circuit protection	no

Accuracy	
Phase offset	90° ± max. 25% of the period duration
pulse-/pause-ratio	at 1 ppr up to 128 ppr: 50 % ± max. 7 % 129 ppr - 256 ppr: 50 % ± max. 9 % 257 ppr - 512 ppr: 50 % ± max. 13 % 513 ppr - 1024 ppr: 50 % ± max. 18 %

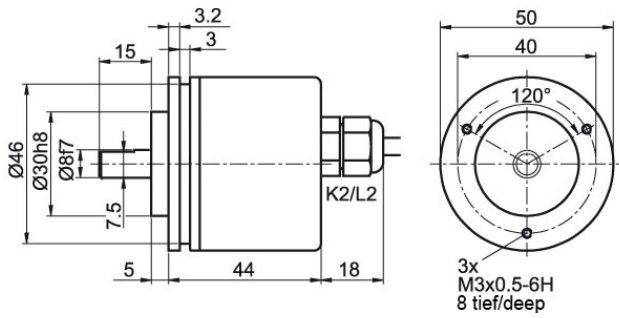
Environmental data	
ESD (DIN EN 61000-4-2):	8 kV
Burst (DIN EN 61000-4-4):	2 kV
includes EMC:	DIN EN 61000-6-2 DIN EN 61000-6-3
Vibration: (DIN EN 60068-2-6)	50 m/s <sup>2</sup> (10 Hz up to 2000 Hz)
Shock: (DIN EN 60068-2-27)	1000 m/s <sup>2</sup> (6 ms)
Design:	according DIN VDE 0160

Duty information	
Customs tariff number:	90318020
Country of origin:	Germany

General Data	
Weight	approx. 160 g
Connections	cable or connector outlet
Protection rating (EN 60529)	Housing: IP65, IP67; shaft sealed: IP65
Operating temperature	-20 °C up to +80 °C
Storage temperature	-30 °C up to +80 °C

More Information	
General technical data and safety instructions <a href="http://www.wachendorff-automation.com/gtd">http://www.wachendorff-automation.com/gtd</a>	
Options <a href="http://www.wachendorff-automation.com/acc">http://www.wachendorff-automation.com/acc</a>	

**Cable connection K2, L2 with 2 m cable**

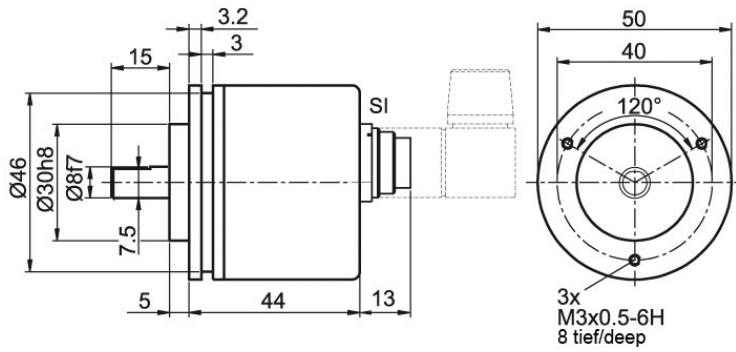


**Description**

		<b>ABN inv. poss.</b>
<b>K2</b>	axial, shield not connected	•
<b>L2</b>	axial, shield connected to encoder housing	•

<b>Assignments</b>		
	<b>K2, L2</b>	<b>K2, L2</b>
<b>Circuit</b>	N35	M35
<b>GND</b>	WH	WH
<b>(+) Vcc</b>	BN	BN
<b>A</b>	GN	GN
<b>B</b>	YE	YE
<b>N</b>	GY	GY
<b>Light reserve warning</b>	-	-
<b>A inv.</b>	-	RD
<b>B inv.</b>	-	BK, (BU at ACA)
<b>N inv.</b>	-	VT
<b>Shield</b>	flex	flex

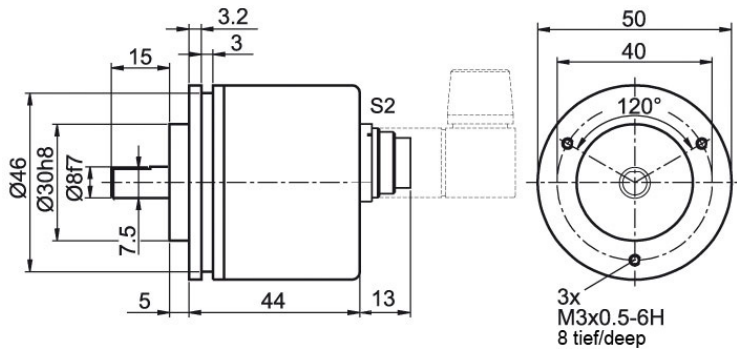
**Cable connection (M16x0.75) SI, 5-, 6-, 8-, 12-pin**



Description	ABN inv. poss.
<b>SI5</b> axial, 5-pin, Connector connected to encoder housing	-
<b>SI6</b> axial, 6-pin, Connector connected to encoder housing	-
<b>SI8</b> axial, 8-pin, Connector connected to encoder housing	•
<b>SI12</b> axial, 12-pin, Connector connected to encoder housing	•

Assignments						
	SI5	SI6	SI8	SI8	SI12	SI12
	5-pin	6-pin	8-pin	8-pin	12-pin	12-pin
<b>Circuit</b>	N35	N35	N35	M35	N35	M35
<b>GND</b>	1	6	1	1	K, L	K, L
<b>(+) Vcc</b>	2	1	2	2	M, B	M, B
<b>A</b>	3	2	3	3	E	E
<b>B</b>	4	4	4	4	H	H
<b>N</b>	5	3	5	5	C	C
<b>Light reserve warning</b>	-	-	-	-	-	-
<b>A inv.</b>	-	-	-	6	-	F
<b>B inv.</b>	-	-	-	7	-	A
<b>N inv.</b>	-	-	-	8	-	D
<b>n. c.</b>	-	5	6, 7, 8	-	A, D, F, G, J	G, J
<b>Shield</b>	-	-	-	-	-	-

**Connector (M16x0.75) S2, 7-pin**



**Description**

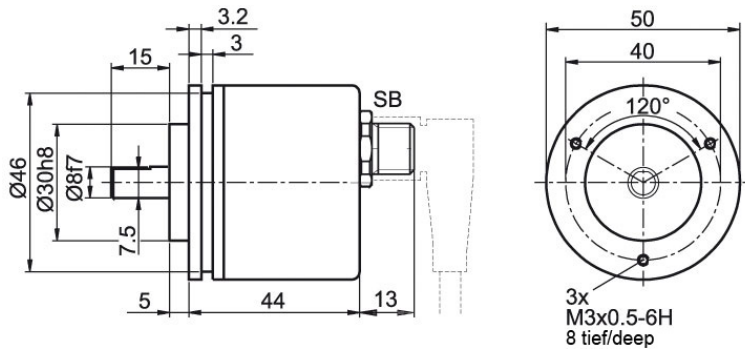
**ABN inv. poss.**

**S2** axial, 7-pin, Connector connected to encoder housing

-

Assignments	
	<b>S2</b>
	<b>7-pin</b>
<b>Circuit</b>	N35
<b>GND</b>	1
<b>(+) Vcc</b>	2
<b>A</b>	3
<b>B</b>	4
<b>N</b>	5
<b>Light reserve warning</b>	-
<b>A inv.</b>	-
<b>B inv.</b>	-
<b>N inv.</b>	-
<b>n. c.</b>	6, 7
<b>Shield</b>	-

**Sensor-connector (M12x1) SB, 4-, 5-, 8-, 12-pin**



Description	ABN inv. poss.
<b>SB4</b> axial, 4-pin, Connector connected to encoder housing	-
<b>SB5</b> axial, 5-pin, Connector connected to encoder housing	-
<b>SB8</b> axial, 8-pin, Connector connected to encoder housing	•
<b>SB12</b> axial, 12-pin, Connector connected to encoder housing	•

Assignments						
	<b>SB4</b>	<b>SB5</b>	<b>SB8</b>	<b>SB8</b>	<b>SB12</b>	<b>SB12</b>
	<b>4-pin</b>	<b>5-pin</b>	<b>8-pin</b>	<b>8-pin</b>	<b>12-pin</b>	<b>12-pin</b>
<b>Circuit</b>	N35	N35	N35	M35	N35	M35
<b>GND</b>	3	3	1	1	3	3
<b>(+) Vcc</b>	1	1	2	2	1	1
<b>A</b>	2	4	3	3	4	4
<b>B</b>	4	2	4	4	6	6
<b>N</b>	-	5	5	5	8	8
<b>Light reserve warning</b>	-	-	-	-	-	-
<b>A inv.</b>	-	-	-	6	-	9
<b>B inv.</b>	-	-	-	7	-	7
<b>N inv.</b>	-	-	-	8	-	10
<b>n. c.</b>	-	-	6, 7, 8	-	2, 5, 7, 9, 10, 11, 12	2, 5, 11, 12
<b>Shield</b>	-	-	-	-	-	-

## Options

### Low-friction bearings

The encoder WDG 50B is also available as a particularly smooth-running low-friction encoder. The starting torque is thereby changed to 0.25 Ncm and the protection class at the shaft input to IP50.

### Order key

**AAC**

### Low temperature

The encoder WDG 50B with the output circuit types M35, N35 is also available with the extended temperature range -40 °C up to +80 °C (measured at the flange).

### Order key

**ACA**

### Cable length

The encoder WDG 50B can be supplied with more than 2 m cable. The maximum cable length depends on the supply voltage and the frequency; see [www.wachendorff-automation.com/atd](http://www.wachendorff-automation.com/atd)

Please extend the standard order code with a three figure number, specifying the cable length in decimetres.

Example: 5 m cable = 050

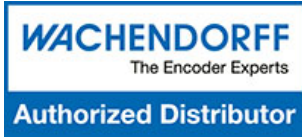
### Order key

**XXX = Decimeter**

Example Order No.	Type					Your encoder	
WDG 50B	WDG 50B					WDG 50B	
<b>Pulses per revolution PPR:</b>							
1024	1-1024 Other PPRs on request						
<b>Channels:</b>							
ABN	AB, ABN bis 1024 I/U						
<b>Output circuit</b>							
M35	<b>Resolution PPR</b>	<b>Power supply VDC</b>	<b>Output circuit</b>	<b>Light reserve warning</b>	<b>Order key</b>		
	up to 1024	5 - 30	HTL, inv. (TTL/RS422 comp. at 5 VDC)	-	M35		
		5 - 30	HTL (TTL at 5 VDC)	-	N35		
<b>Electrical connections</b>							
K2	<b>Description</b>			<b>ABN inv. poss.</b>	<b>Order key</b>		
	<b>Cable: length (2 m standard, WDG 58T: 1 m)</b>						
	axial, shield not connected			•	K2		
	axial, shield connected to encoder housing			•	L2		
	<b>Connector: (shield connected to encoder housing)</b>						
	connector, M16x0.75, 5-pin, axial			-	SI5		
	connector, M16x0.75, 6-pin, axial			-	SI6		
	connector, M16x0.75, 8-pin, axial			•	SI8		
	connector, M16x0.75, 12-pin, axial			•	SI12		
	connector, M16x0.75, 7-pin, axial			-	S2		
	sensor-connector, M12x1, 4-pin, axial			-	SB4		
	sensor-connector, M12x1, 5-pin, axial			-	SB5		
	sensor-connector, M12x1, 8-pin, axial			•	SB8		
sensor-connector, M12x1, 12-pin, axial			•	SB12			
<b>Options</b>							
<b>Description</b>			<b>Order key</b>				
Low-friction bearings			AAC				
Low temperature			ACA				
Without option			Empty				
Cable length			XXX = Decimeter				

<b>Example Order No.=</b>	WDG 50B	1024	ABN	M35	K2		WDG 50B					<b>Your encoder</b>
---------------------------	---------	------	-----	-----	----	--	---------	--	--	--	--	---------------------





For further information please contact our local distributor.  
Here you find a list of our distributors worldwide.  
<https://www.wachendorff-automation.com/contact-sales-en/>

# WACHENDORFF

Wachendorff Automation GmbH & Co. KG  
Industriestrasse 7 • 65366 Geisenheim  
Germany

Phone: +49 67 22 / 99 65 25  
E-Mail: [wdg@wachendorff.de](mailto:wdg@wachendorff.de)  
[www.wachendorff-automation.de](http://www.wachendorff-automation.de)

