



Online Data Sheet

Encoder WDG 36E

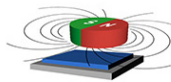
www.wachendorff-automation.com/wdgn36e

Wachendorff Automation

... systems and encoders

- Complete systems
- Industrial rugged encoders to suit your application
- Standard range and customer versions
- Maximum permissible loads
- 48-hour express production
- Made in Germany
- Worldwide distributor network

Encoder WDG 36E configurable via NFC



Wachendorff Apps WDG N

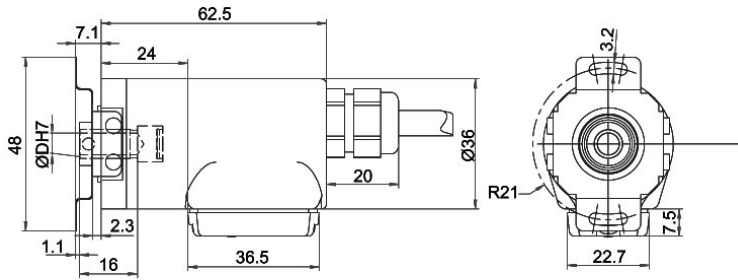
- Due to high quality electronics any number of pulses up to 16384 configurable via NFC
- HTL/TTL configurable via NFC
- Protection class IP67, at shaft input IP65
- High output frequency up to 1 MHz
- Reverse polarity protection and short-circuit protection at 4.75 VDC to 32 VDC

www.wachendorff-automation.com/wdgn36e

Configurable via NFC

Resolution	
Pulses per revolution PPR	1 PPR up to 16384 PPR
Mechanical Data	
Housing	
Flange	hollow shaft (blind-bored)
Flange material	aluminum
Housing cap	Stainless steel, NFC cover: Thermoplastic polyamide
- 1. Spring plate compensation	axial: ± 0.2 mm, radial: ± 0.1 mm
Housing	$\varnothing 36$ mm
Shaft(s)	
Shaft material	stainless steel
Starting torque	approx. 0.3 Ncm at ambient temperature
Shaft	$\varnothing 6$ mm
Insertion depth min.	8 mm
Insertion depth max.	17 mm
Max. Permissible shaft loading radial	80 N
Max. Permissible shaft loading axial	50 N
Shaft	$\varnothing 6.35$ mm, $\varnothing 1/4"$
Insertion depth min.	8 mm
Insertion depth max.	17 mm
Max. Permissible shaft loading radial	80 N
Max. Permissible shaft loading axial	50 N
Bearings	
Bearings type	2 precision ball bearings
Nominal service life	1.4 x 10 ⁸ revs. at 100 % rated shaft load 2 x 10 ⁹ revs. at 40 % rated shaft load 1.7 x 10 ¹⁰ revs. at 20 % rated shaft load
Max. operating speed	12000 rpm
Machinery Directive: basic data safety integrity level	
MTTF _d	1200 a
Mission time (TM)	25 a
Nominal service life (L10h)	1.7 x 10 ¹⁰ revs. at 20 % rated shaft load and 12000 rpm
Diagnostic coverage (DC)	0 %

Electrical Data	
Power supply/Current consumption	4,75 VDC up to 32 VDC: typ. 80 mA
Output circuit	HTL HTL, inv. TTL TTL, RS422 compatible, inv.
Pulse frequency	HTL up to 16384 ppr: max. 600 kHz TTL up to 16384 ppr: max. 1 MHz
Channels	ABN CH4 and inverted signals
Load	max. 40 mA / channel
Circuit protection	inverse-polarity and short-circuit protection
Nullimpuls setzen:	Setzen: SET = +UB für 2 s Deaktiviert: SET = GND
Accuracy	
Phase offset	90° \pm max. 8.5 % of the period duration
pulse-/pause-ratio	50 % \pm max. 7 %
General Data	
Weight	approx. 130 g
Connections	cable or connector outlet
Protection rating (EN 60529)	Housing: IP65, IP67; shaft sealed: IP65; (IP40 for K1)
Operating temperature	Connector: -40 °C up to +85 °C, cable: -20 °C up to +80 °C
Storage temperature	Connector: -40 °C up to +100 °C, cable: -30 °C up to +80 °C
More Information	
General technical data and safety instructions http://www.wachendorff-automation.com/gtd	
Options http://www.wachendorff-automation.com/acc	

Cable connection L2 axial with 2 m cable


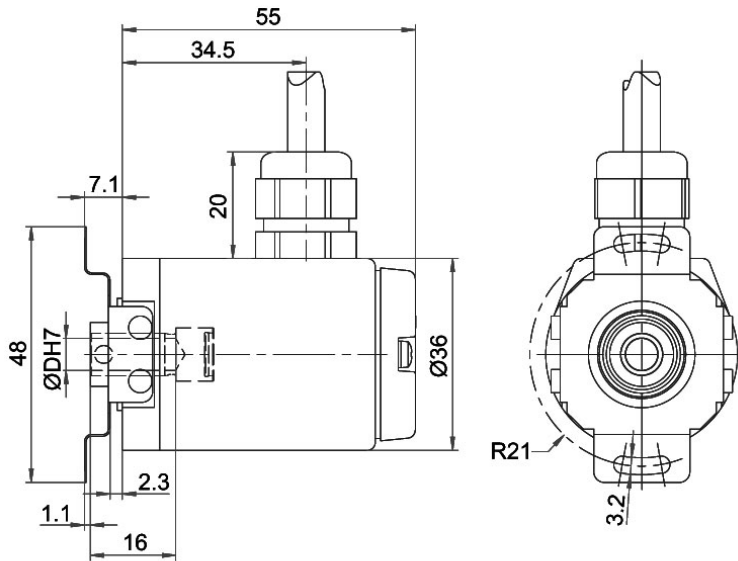
D = Ø 6 mm, Ø 1/4"

Description
ABN inv. poss.

L2 axial, shield connected to encoder housing

•

Assignments		
	L2	L2
Circuit	BAS	ADV
GND	WH	WH
(+) Vcc	BN	BN
A	GN	GN
B	YE	YE
N	GY	GY
CH4	-	GYPK
SET	-	PK
A inv.	RD	RD
B inv.	BK	BK
N inv.	VT	VT
CH4 inv.	-	RDBU
Shield	flex	flex

Cable connection L3 radial with 2 m cable


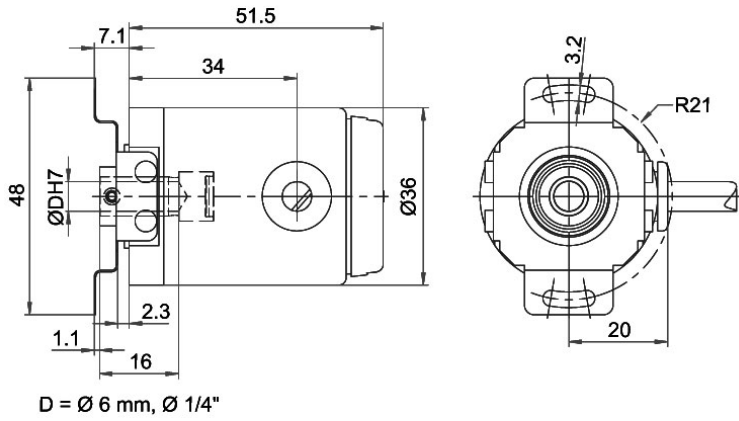
D = Ø 6 mm, Ø 1/4"

Description
ABN inv. poss.
L3 radial, shield connected to encoder housing

•

Assignments		
	L3	L3
Circuit	BAS	ADV
GND	WH	WH
(+) Vcc	BN	BN
A	GN	GN
B	YE	YE
N	GY	GY
CH4	-	GYPK
SET	-	PK
A inv.	RD	RD
B inv.	BK	BK
N inv.	VT	VT
CH4 inv.	-	RDBU
Shield	flex	flex

Cable K1 (IP40) radial with 2 m cable



Description

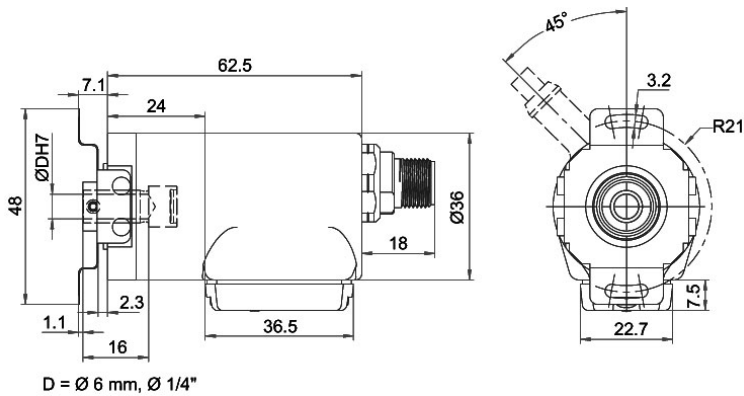
ABN inv. poss.

K1 radial, shield not connected (IP40)

•

Assignments		
	K1	K1
Circuit	BAS	ADV
GND	WH	WH
(+) Vcc	BN	BN
A	GN	GN
B	YE	YE
N	GY	GY
CH4	-	GYPK
SET	-	PK
A inv.	RD	RD
B inv.	BK	BK
N inv.	VT	VT
CH4 inv.	-	RDBU
Shield	flex	flex

Sensor connector (M12x1) SB axial, 8-, 12-pin

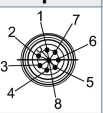
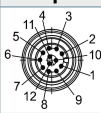


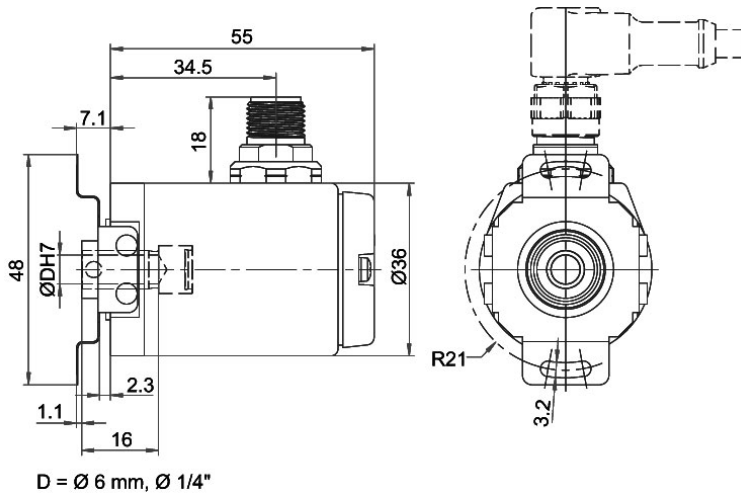
Description

SB8 axial, 8-pin, Connector connected to encoder housing
SB12 axial, 12-pin, Connector connected to encoder housing

ABN inv. poss.

-
-

Assignments		
	SB8	SB12
	8-pin	12-pin
		
Circuit	BAS	ADV
GND	1	3
(+) Vcc	2	1
A	3	4
B	4	6
N	5	8
CH4	-	11
SET	-	5
A inv.	6	9
B inv.	7	7
N inv.	8	10
CH4 inv.	-	12
n. c.	-	2
Shield	-	-



Sensor-connector (M12x1) SC radial, 8-, 12-pin

Description
ABN inv. poss.
SC8 radial, 8-pin, Connector connected to encoder housing

•

SC12 radial, 12-pin, Connector connected to encoder housing

•

Assignments

	SC8	SC12
	8-pin	12-pin
		
Circuit	BAS	ADV
GND	1	3
(+) Vcc	2	1
A	3	4
B	4	6
N	5	8
CH4	-	11
SET	-	5
A inv.	6	9
B inv.	7	7
N inv.	8	10
CH4 inv.	-	12
n. c.	-	2
Shield	-	-

Options

Cable length

Order key

The encoder WDG 36E can be supplied with more than 2 m cable. The maximum cable length depends on the supply voltage and the frequency; see Downloads: „General technical Data“.

Please extend the standard order code with a three figure number, specifying the cable length in decimetres.

Example: 5 m cable = 050

Example Order No.	Type					Your encoder
WDGN 36E	WDGN 36E					WDGN 36E
Bore size						
06	06; 2Z= Ø 6.35 mm, Ø 1/4"					
Pulses per revolution PPR:						
X	configurable 1-16384 1 Vpp Sin/Cos only configurable 1-16384 Other PPRs on request					
Channels:						
X	ABN, ABN+CH4					
Output circuit						
BAS	Resolution PPR	Power supply VDC	Output circuit	Light reserve warning	Order key	
	configurable 1-16384	4.75 - 32 4.75 - 32	configurable HTL, TTL (A,B,N + inv.) configurable HTL, TTL (A,B,N,CH4 + inv.)	- -	BAS ADV	
Electrical connections						
L2	Description			ABN inv. poss.	Order key	
	Cable: length (2 m standard, WDG 58T: 1 m)					
	radial, shield not connected (IP40)			•	K1	
	axial, shield connected to encoder housing			•	L2	
	radial, shield connected to encoder housing			•	L3	
	Connector: (shield connected to encoder housing)					
	sensor-connector, M12x1, 8-pin, axial			•	SB8	
	sensor-connector, M12x1, 8-pin, radial			•	SC8	
	sensor-connector, M12x1, 12-pin, axial			•	SB12	
sensor-connector, M12x1, 12-pin, radial			•	SC12		
Options						
Description				Order key		
Without option				Empty		
Cable length				XXX = Decimeter		

Example Order No.=	WDGN 36E	06	X	X	BAS	L2		WDGN 36E						Your encoder
---------------------------	----------	----	---	---	-----	----	--	----------	--	--	--	--	--	---------------------



For further information please contact our local distributor.
Here you find a list of our distributors worldwide.
<https://www.wachendorff-automation.com/>



Wachendorff Automation GmbH & Co. KG
Industriestrasse 7 • 65366 Geisenheim
Germany

Phone: +49 67 22 / 99 65 25
Fax: +49 67 22 / 99 65 70
E-Mail: wdg@wachendorff.de
www.wachendorff-automation.de

