

# Flanges & Fittings - NW & CF Swagelok Adapters



## SPECIFICATIONS

### Materials

Flanges: 304 stainless steel

Swagelok Fittings: 316L stainless steel

### Vacuum range:

NW Flange:  $\geq 1 \times 10^{-8}$  Torr - High vacuum

CF Flange:  $\geq 1 \times 10^{-10}$  Torr - UHV

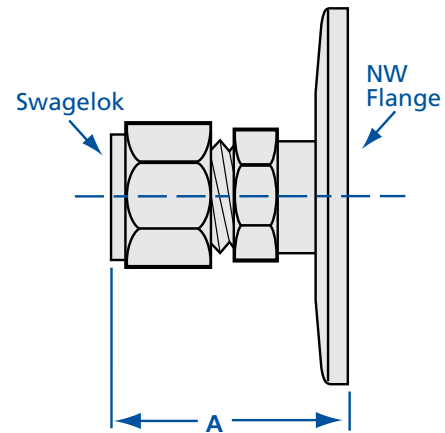
### Temperature range

NW Flange: -20°C to 200°C

CF Flange: -200°C to 450°C

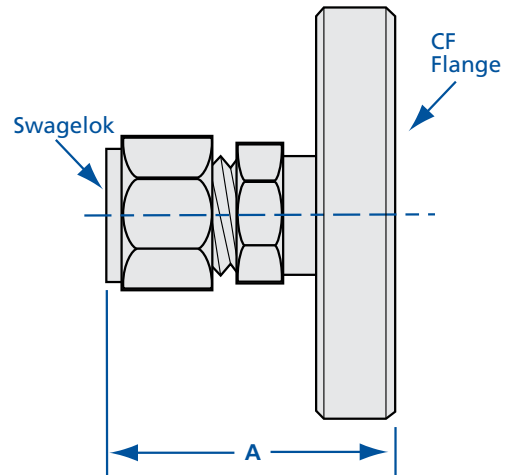
## NW Swagelok Adapters

MODEL NUMBER	FLANGE TYPE	TUBE OD	A
NW-10- $\frac{1}{4}$ SWAG	NW-10	$\frac{1}{4}$	1.47
NW-16- $\frac{1}{4}$ SWAG	NW-16	$\frac{1}{4}$	1.47
NW-25- $\frac{1}{4}$ SWAG	NW-25	$\frac{1}{4}$	1.47
NW-40- $\frac{1}{4}$ SWAG	NW-40	$\frac{1}{4}$	1.47
NW-50- $\frac{1}{4}$ SWAG	NW-50	$\frac{1}{4}$	1.47
NW-10- $\frac{3}{8}$ SWAG	NW-10	$\frac{3}{8}$	1.63
NW-16- $\frac{3}{8}$ SWAG	NW-16	$\frac{3}{8}$	1.63
NW-25- $\frac{3}{8}$ SWAG	NW-25	$\frac{3}{8}$	1.63
NW-40- $\frac{3}{8}$ SWAG	NW-40	$\frac{3}{8}$	1.63
NW-50- $\frac{3}{8}$ SWAG	NW-50	$\frac{3}{8}$	1.63



## CF Swagelok Adapters

MODEL NUMBER	FLANGE TYPE	TUBE OD	A
133- $\frac{1}{4}$ SWAG	1.33 CF	$\frac{1}{4}$	1.37
133- $\frac{3}{8}$ SWAG	1.33 CF	$\frac{3}{8}$	1.58
275- $\frac{1}{4}$ SWAG	2.75 CF	$\frac{1}{4}$	1.37
275- $\frac{3}{8}$ SWAG	2.75 CF	$\frac{3}{8}$	1.54



REV 6/16