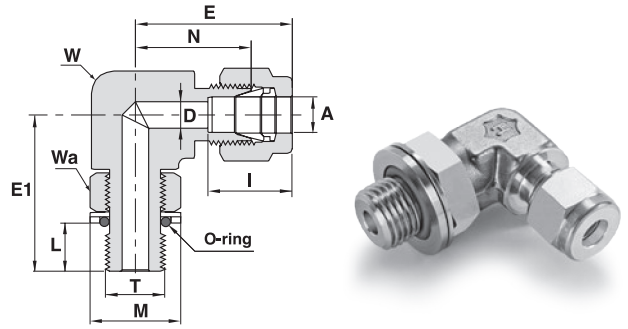


POSITIONABLES
ISO PARALLEL THREAD

769 LG
MALE ELBOW



TUBE (METRIC) TO ISO PARALLEL THREAD (POSITIONABLE)*

Ordering Information	A Tube O.D.		T (ISO)	D		W Wrench Flat		Wa Hex. Flat	N		E	E1	L		M	I	O-ring**
	mm	inch	inch	mm	mm	inch	mm	inch	mm	mm	mm	mm	mm	mm	mm	mm	Dash No.
769LG SS 6 X 1/8 POS.	6		G-1/8-28	4.0		1/2	12.7	9/16		19.6	27.0	26.4		8.1	17.3	15.3	***
769LG SS 6 X 1/4 POS.	6		G-1/4-19	4.8		5/8	15.9	3/4		21.6	29.0	32.2		9.1	22.9	15.3	-111
769LG SS 8 X 1/8 POS.	8		G-1/8-28	4.0		5/8	15.9	9/16		21.3	28.8	27.4		8.1	17.3	16.2	***
769LG SS 8 X 1/4 POS.	8		G-1/4-19	5.9		5/8	15.9	3/4		22.4	29.9	32.2		9.1	22.9	16.2	-111
769LG SS 10 X 1/4 POS.	10		G-1/4-19	5.9	13/16		20.6	3/4		25.9	33.5	35.0		9.1	22.9	17.2	-111
769LG SS 10 X 3/8 POS.	10		G-3/8-19	7.9	13/16		20.6	7/8		25.9	33.5	37.1		9.4	26.4	17.2	-113
769LG SS 12 X 1/4 POS.	12		G-1/4-19	5.9	13/16		20.6	3/4		25.9	36.0	35.0		9.1	22.9	22.8	-111
769LG SS 12 X 3/8 POS.	12		G-3/8-19	7.9	13/16		20.6	7/8		25.9	36.0	37.1		9.4	26.4	22.8	-113
769LG SS 12 X 1/2 POS.	12		G-1/2-14	9.5	15/16		23.8	1 1/16		27.9	38.0	43.4		13.0	32.0	22.8	-593

TUBE (INCH) TO ISO PARALLEL THREAD (POSITIONABLE)*

Ordering Information	A Tube O.D.		T (ISO)	D		W Wrench Flat		Wa Hex. Flat	N		E	E1	L		M	I	O-ring**				
	inch	mm	inch	inch	mm	inch	mm	inch	inch	mm	inch	mm	inch	mm	inch	mm	Dash No.				
769LG SS 1/4 X 1/8 POS.	1/4	6.35	G-1/8-28	.16	4.0	1/2	12.7	9/16	.77	19.60	1.06	26.9	1.04	26.4	.32	8.1	.68	17.3	.60	15.2	***
769LG SS 1/4 X 1/4 POS.	1/4	6.35	G-1/4-19	.19	4.8	5/8	15.9	3/4	.85	21.60	1.14	28.9	1.27	32.2	.36	9.1	.90	22.9	.60	15.2	-111
769LG SS 1/4 X 1/2 POS.	1/4	6.35	G-1/2-14	.19	4.8	15/16	23.8	1 1/16	.96	24.38	1.25	31.8	1.71	43.4	.51	13.0	1.26	32.0	.60	15.2	-593
769LG SS 3/8 X 1/4 POS.	3/8	9.52	G-1/4-19	.23	5.9	5/8	15.9	3/4	.91	23.11	1.20	30.5	1.27	32.2	.36	9.1	.90	22.9	.66	16.8	-111
769LG SS 3/8 X 3/8 POS.	3/8	9.52	G-3/8-19	.28	7.1	13/16	20.6	7/8	1.02	25.91	1.31	33.3	1.46	37.1	.37	9.4	1.04	26.4	.66	16.8	-113
769LG SS 1/2 X 1/4 POS.	1/2	12.70	G-1/4-19	.23	5.9	13/16	20.6	3/4	1.02	25.91	1.42	36.1	1.27	32.2	.36	9.1	.90	22.9	.90	22.9	-111
769LG SS 1/2 X 3/8 POS.	1/2	12.70	G-3/8-19	.31	7.9	13/16	20.6	7/8	1.02	25.91	1.42	36.1	1.46	37.1	.37	9.4	1.04	26.4	.90	22.9	-113
769LG SS 1/2 X 1/2 POS.	1/2	12.70	G-1/2-14	.41	10.4	15/16	23.8	1 1/16	1.10	27.94	1.50	38.1	1.71	43.4	.51	13.0	1.26	32.0	.90	22.9	-593
769LG SS 5/8 X 1/2 POS.	5/8	15.87	G-1/2-14	.47	11.9	15/16	23.8	1 1/16	1.10	27.94	1.50	38.1	1.71	43.4	.51	13.0	1.26	32.0	.96	24.4	-593

* Per: DIN - ISO 228/1
BS - 2779
JIS - B0202
ISO - 228/1-BSP-P
** O-rings used are Fluorocarbon FKM 90 Durometer. Other O-ring materials are available on request.
*** Not standard O-ring size.
"D" - Dimension is minimum opening. Dimensions are for reference only, and are subject to change without notice.