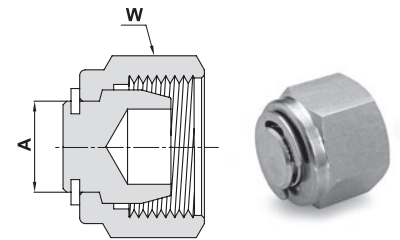


## 7121 L PLUG



### PLUGGING UNUSED PORT OF FITTING (METRIC)

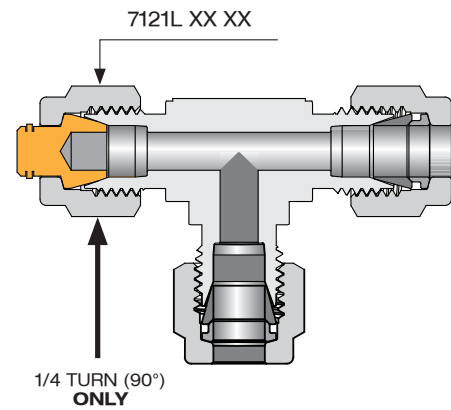
Ordering Information	A		W
	mm		Hex. Flat
7121L_2	2		14
7121L_3	3		12
7121L_4	4		12
7121L_6	6		14
7121L_8	8		16
7121L_10	10		19
7121L_12	12		22
7121L_14	14		25
7121L_15	15		25
7121L_16	16		25
7121L_18	18		30
7121L_20	20		32
7121L_22	22		32
7121L_25	25		38
7121L_38	*38		60
7121L_50	*50		3 inch

### PLUGGING UNUSED PORT OF FITTING (INCH)

Ordering Information	A		W
	inch	mm	Hex. Flat
7121L_1/16	1/16	1.58	5/16
7121L_1/8	1/8	3.17	7/16
7121L_3/16	3/16	4.76	1/2
7121L_1/4	1/4	6.35	9/16
7121L_5/16	5/16	7.93	5/8
7121L_3/8	3/8	9.52	11/16
7121L_1/2	1/2	12.70	7/8
7121L_5/8	5/8	15.87	1
7121L_3/4	3/4	19.05	1 1/8
7121L_7/8	7/8	22.22	1 1/4
7121L_1	1	25.40	1 1/2
7121L_1 1/4	*1 1/4	31.75	1 7/8
7121L_1 1/2	*1 1/2	38.10	2 1/4
7121L_2	*2	50.80	3

\* Including low friction paste, see page 91

### PLUG ASSEMBLY INSTRUCTIONS



"D" - Dimension is minimum opening. Dimensions are for reference only, and are subject to change without notice.