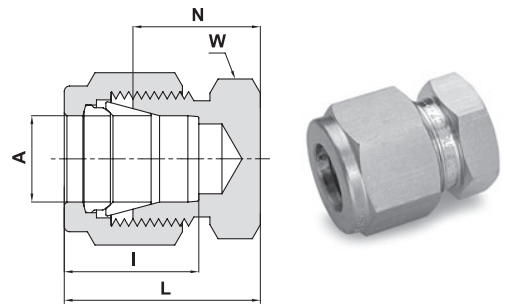


7108 L
CAP



CAPPING END OF TUBE (METRIC)

Ordering Information	A Tube O.D.		W Hex. Flat		N		L		I	
	mm	mm	mm	mm	mm	mm	mm	mm	mm	mm
7108L_2	2		12		13.5		20.1		12.9	
7108L_3	3		12		13.5		20.1		12.9	
7108L_4	4		12		14.7		21.3		13.7	
7108L_6	6		14		15.7		23.1		15.3	
7108L_8	8		15		17.0		24.5		16.2	
7108L_10	10		18		19.0		26.6		17.2	
7108L_12	12		22		19.0		29.1		22.8	
7108L_14	14		24		19.8		29.9		24.4	
7108L_15	15		24		19.8		29.9		24.4	
7108L_16	16		24		19.8		29.9		24.4	
7108L_18	18		27		21.3		31.4		24.4	
7108L_20	20		30		23.9		34.0		26.0	
7108L_22	22		30		23.9		34.0		26.0	
7108L_25	25		35		26.2		38.5		31.3	
7108L_38	*38		55		37.8		65.4		49.4	

CAPPING END OF TUBE (INCH)

Ordering Information	A Tube O.D.		W Hex. Flat		N		L		I	
	inch	mm	inch	mm	inch	mm	inch	mm	inch	mm
7108L_1/16	1/16	1.58	5/16		.44	11.17	.59	14.98	.34	8.6
7108L_1/8	1/8	3.17	7/16		.53	13.46	.79	20.06	.50	12.7
7108L_3/16	3/16	4.76	7/16		.58	14.73	.84	21.84	.54	13.7
7108L_1/4	1/4	6.35	1/2		.63	16.00	.92	23.37	.60	15.2
7108L_5/16	5/16	7.93	9/16		.67	17.01	.96	24.38	.64	16.2
7108L_3/8	3/8	9.52	5/8		.72	18.28	1.01	26.65	.66	16.8
7108L_1/2	1/2	12.70	13/16		.75	19.05	1.15	29.21	.90	22.9
7108L_5/8	5/8	15.87	15/16		.78	19.81	1.18	29.97	.96	24.4
7108L_3/4	3/4	19.05	1 1/16		.84	21.33	1.24	31.49	.96	24.4
7108L_7/8	7/8	22.22	1 3/16		.94	23.88	1.34	34.04	1.02	25.9
7108L_1	1	25.40	1 3/8		1.03	26.16	1.51	38.35	1.23	31.2
7108L_1 1/4	*1 1/4	31.75	1 3/4		1.23	31.24	2.10	53.34	1.62	41.2
7108L_1 1/2	*1 1/2	38.10	2 1/8		1.47	37.33	2.54	64.52	1.97	50.0
7108L_2	*2	50.80	2 3/4		1.94	49.28	3.41	86.61	2.66	67.6

* Including low friction paste, see page 91

"D" - Dimension is minimum opening. Dimensions are for reference only, and are subject to change without notice.