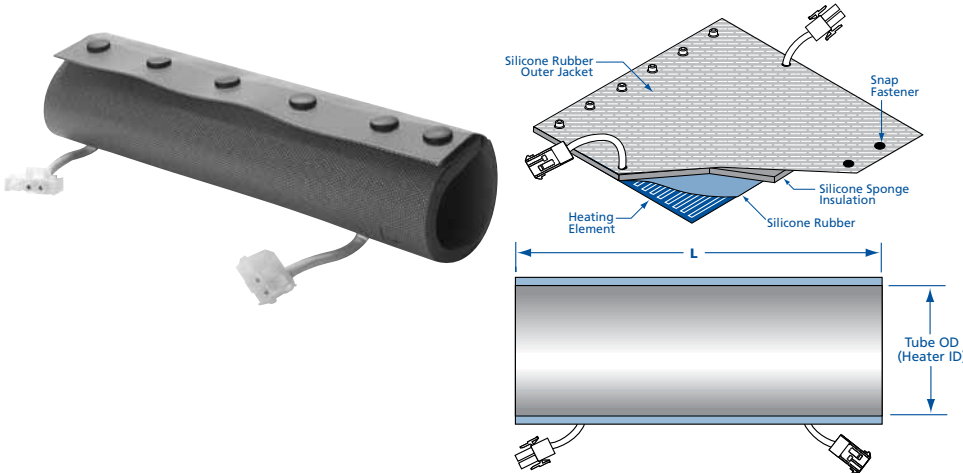


# Thermal Products - Heater Jackets

1/4" and 1/2" thick 3" and 4" Tube OD



## SPECIFICATIONS

### Materials

**Heater jacket:** Reinforced silicone rubber fabric, color gray  
**Insulator:** 1/4 or 1/2 inch thick closed-cell silicone rubber foam  
**Fasteners:** 1/2 inch diameter metal snaps with nylon cover standard

### Electrical

**Watt density:**  
 1 to 2 inch diameter: 1.5 W/in<sup>2</sup>  
 3 to 4 inch diameter: 1.25 W/in<sup>2</sup>  
**Voltage:** 120V or 208V standard, other voltages available  
**Power leads:** 4 inch long #18 AWG, UL 1180/CSA 10A rated  
**Connectors:** Positive locking Mate-N-Lok

**Temperature range:** ≤200°C

## 1/4" Thick Heater Jackets - 3" Tube OD

MODEL NUMBER	WATTS* 120 or 208V	POCKET Thermocouple	TRIMABLE	LENGTH L
HC-300-2-3	24			2
HC-300-2T-3	12		✓	2
HC-300-3-3	36	✓		3
HC-300-3T-3	24	✓	✓	3
HC-300-4-3	48	✓		4
HC-300-4T-3	36	✓	✓	4
HC-300-5-3	59	✓		5
HC-300-5T-3	48	✓	✓	5
HC-300-6-3	71	✓		6
HC-300-6T-3	59	✓	✓	6
HC-300-12-3	141	✓		12
HC-300-12T-3	129	✓	✓	12
HC-300-18-3	213	✓		18
HC-300-24-3	283	✓		24
HC-300-24T-3	271	✓	✓	24
HC-300-30-3	354	✓		30
HC-300-36-3	425	✓		36
HC-300-36T-3	413	✓	✓	36

\* For 208V heaters replace the "-3" with "-2" at the end of the model number.

## 1/4" Thick Heater Jackets - 4" Tube OD

MODEL NUMBER	WATTS* 120 or 208V	POCKET Thermocouple	TRIMABLE	LENGTH L
HC-400-2-3	32			2
HC-400-2T-3	16		✓	2
HC-400-3-3	48	✓		3
HC-400-3T-3	32	✓	✓	3
HC-400-4-3	63	✓		4
HC-400-4T-3	48	✓	✓	4
HC-400-5-3	79	✓		5
HC-400-5T-3	63	✓	✓	5
HC-400-6-3	95	✓		6
HC-400-6T-3	79	✓	✓	6
HC-400-7T-3	95	✓	✓	7
HC-400-8T-3	114	✓	✓	8
HC-400-9T-3	130	✓	✓	9
HC-400-10T-3	146	✓	✓	10
HC-400-11T-3	157	✓	✓	11
HC-400-12-3	189	✓		12
HC-400-12T-3	173	✓	✓	12
HC-400-18-3	283	✓		18
HC-400-24-3	377	✓		24
HC-400-24T-3	361	✓	✓	24
HC-400-30-3	472	✓		30
HC-400-36-3	566	✓		36
HC-400-36T-3	550	✓	✓	36

\* For 208V heaters replace the "-3" with "-2" at the end of the model number.

## 1/2" Thick Heater Jackets - 3" Tube OD

MODEL NUMBER	WATTS* 120 or 208V	POCKET Thermocouple	TRIMABLE	LENGTH L
HC2-300-2-3	24			2
HC2-300-2T-3	12		✓	2
HC2-300-3-3	36	✓		3
HC2-300-3T-3	24	✓	✓	3
HC2-300-4-3	48	✓		4
HC2-300-4T-3	36	✓	✓	4
HC2-300-5-3	59	✓		5
HC2-300-5T-3	48	✓	✓	5
HC2-300-6-3	71	✓		6
HC2-300-6T-3	59	✓	✓	6
HC2-300-12-3	141	✓		12
HC2-300-12T-3	129	✓	✓	12
HC2-300-18-3	213	✓		18
HC2-300-24-3	283	✓		24
HC2-300-24T-3	271	✓	✓	24
HC2-300-30-3	354	✓		30
HC2-300-36-3	425	✓		36
HC2-300-36T-3	413	✓	✓	36

\* For 208V heaters replace the "-3" with "-2" at the end of the model number.

## 1/2" Thick Heater Jackets - 4" Tube OD

MODEL NUMBER	WATTS* 120 or 208V	POCKET Thermocouple	TRIMABLE	LENGTH L
HC2-400-2-3	32			2
HC2-400-2T-3	16		✓	2
HC2-400-3-3	48	✓		3
HC2-400-3T-3	32	✓	✓	3
HC2-400-4-3	63	✓		4
HC2-400-4T-3	48	✓	✓	4
HC2-400-5-3	79	✓		5
HC2-400-5T-3	63	✓	✓	5
HC2-400-6-3	95	✓		6
HC2-400-6T-3	79	✓	✓	6
HC2-400-7T-3	95	✓	✓	7
HC2-400-8T-3	114	✓	✓	8
HC2-400-9T-3	130	✓	✓	9
HC2-400-10T-3	146	✓	✓	10
HC2-400-11T-3	157	✓	✓	11
HC2-400-12-3	189	✓		12
HC2-400-12T-3	173	✓	✓	12
HC2-400-18-3	283	✓		18
HC2-400-24-3	377	✓		24
HC2-400-24T-3	361	✓	✓	24
HC2-400-30-3	472	✓		30
HC2-400-36-3	566	✓		36
HC2-400-36T-3	550	✓	✓	36

\* For 208V heaters replace the "-3" with "-2" at the end of the model number.

