

Liquid & Electrical Feedthroughs - Thermocouple Feedthroughs



Thermocouple Feedthroughs

MODEL NUMBER	FLANGE	A	B	C
TC-NW-16-1	NW-16	2.40	3.00	4.00
TC-NW-25-1	NW-25	2.02	3.38	4.38
TC-NW-40-1	NW-40	1.90	3.50	4.50
TC-NW-50-1	NW-50	1.90	3.50	4.50
TC-075-1	1.33 CF	2.40	3.00	4.00
TC-150-1	2.75 CF	1.95	3.45	4.45

SPECIFICATIONS

Materials

Flange: 304 stainless steel
 Conductors: Chromel/Alumel
 Insulator: Alumina ceramic

Connectors

Plug color: Yellow
 Thermocouple: Type K

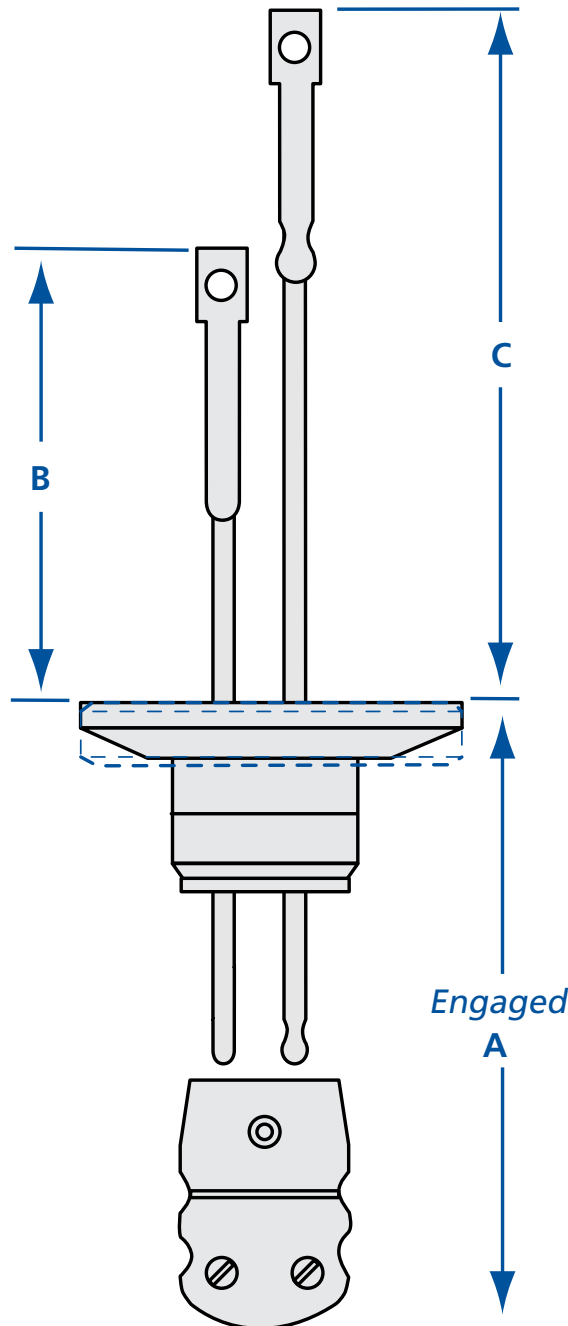
Included hardware: Plugs, screws and nuts for vacuum and atmosphere lead attachment

Vacuum range

Metal seal: $\geq 10^{-10}$ Torr - UHV
 Elastomer seal: $\geq 10^{-8}$ Torr - High vacuum

Temperature range

Metal seal: -270°C to 450°C (plug disconnected)
 Elastomer seal: -20°C to 150°C



REV 6/16

