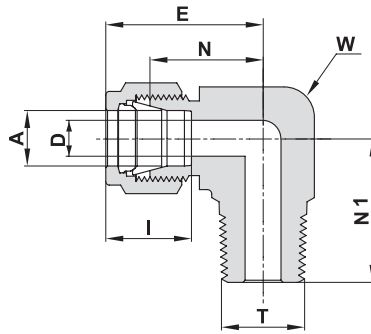


769 L MALE ELBOW



TUBE (METRIC) MALE NPT THREAD

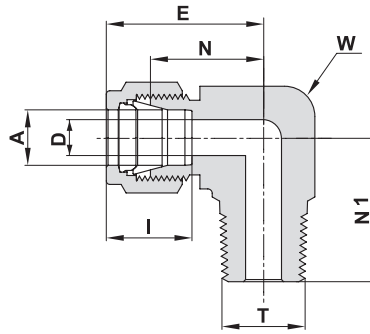
| Ordering Information | A | T | D | W | | N | E | N1 | I |
|----------------------|-----------|-------|------|-------------|------|------|------|------|------|
| | Tube O.D. | (NPT) | | Wrench Flat | | | | | |
| | mm | inch | mm | inch | mm | mm | mm | mm | mm |
| 769L_ 3 X 1/8 | 3 | 1/8 | 2.4 | 7/16 | 11.1 | 17.0 | 23.6 | 17.8 | 12.9 |
| 769L_ 3 X 1/4 | 3 | 1/4 | 2.4 | 1/2 | 12.7 | 18.0 | 24.6 | 23.4 | 12.9 |
| 769L_ 4 X 1/8 | 4 | 1/8 | 2.4 | 1/2 | 12.7 | 18.8 | 25.4 | 18.8 | 13.7 |
| 769L_ 4 X 1/4 | 4 | 1/4 | 2.4 | 1/2 | 12.7 | 18.8 | 25.4 | 23.4 | 13.7 |
| 769L_ 6 X 1/8 | 6 | 1/8 | 4.8 | 1/2 | 12.7 | 19.6 | 27.0 | 18.8 | 15.3 |
| 769L_ 6 X 1/4 | 6 | 1/4 | 4.8 | 1/2 | 12.7 | 19.6 | 27.0 | 23.4 | 15.3 |
| 769L_ 6 X 3/8 | 6 | 3/8 | 4.8 | 11/16 | 17.5 | 22.4 | 29.8 | 26.2 | 15.3 |
| 769L_ 6 X 1/2 | 6 | 1/2 | 4.8 | 13/16 | 20.6 | 24.4 | 31.8 | 33.0 | 15.3 |
| 769L_ 8 X 1/8 | 8 | 1/8 | 4.8 | 9/16 | 14.3 | 21.3 | 28.8 | 19.8 | 16.2 |
| 769L_ 8 X 1/4 | 8 | 1/4 | 6.4 | 9/16 | 14.3 | 21.3 | 28.8 | 24.4 | 16.2 |
| 769L_ 8 X 3/8 | 8 | 3/8 | 6.4 | 11/16 | 17.5 | 23.1 | 30.6 | 26.2 | 16.2 |
| 769L_ 8 X 1/2 | 8 | 1/2 | 6.4 | 13/16 | 20.6 | 25.1 | 32.6 | 33.0 | 16.2 |
| 769L_ 10 X 1/8 | 10 | 1/8 | 4.8 | 11/16 | 17.5 | 23.9 | 31.5 | 21.6 | 17.2 |
| 769L_ 10 X 1/4 | 10 | 1/4 | 7.1 | 11/16 | 17.5 | 23.9 | 31.5 | 26.2 | 17.2 |
| 769L_ 10 X 3/8 | 10 | 3/8 | 7.9 | 11/16 | 17.5 | 23.9 | 31.5 | 26.2 | 17.2 |
| 769L_ 10 X 1/2 | 10 | 1/2 | 7.9 | 13/16 | 20.6 | 25.9 | 33.5 | 33.0 | 17.2 |
| 769L_ 12 X 1/8 | 12 | 1/8 | 4.8 | 13/16 | 20.6 | 25.9 | 36.0 | 23.6 | 22.8 |
| 769L_ 12 X 1/4 | 12 | 1/4 | 7.1 | 13/16 | 20.6 | 25.9 | 36.0 | 28.2 | 22.8 |
| 769L_ 12 X 3/8 | 12 | 3/8 | 9.5 | 13/16 | 20.6 | 25.9 | 36.0 | 28.2 | 22.8 |
| 769L_ 12 X 1/2 | 12 | 1/2 | 9.5 | 13/16 | 20.6 | 25.9 | 36.0 | 33.0 | 22.8 |
| 769L_ 12 X 3/4 | 12 | 3/4 | 9.5 | 1 1/16 | 27.0 | 29.7 | 39.8 | 36.8 | 22.8 |
| 769L_ 15 X 1/2 | 15 | 1/2 | 11.9 | 15/16 | 23.8 | 27.9 | 38.0 | 35.1 | 24.4 |
| 769L_ 16 X 3/8 | 16 | 3/8 | 9.5 | 15/16 | 23.8 | 27.9 | 38.0 | 30.2 | 24.4 |
| 769L_ 16 X 1/2 | 16 | 1/2 | 11.9 | 15/16 | 23.8 | 27.9 | 38.0 | 35.1 | 24.4 |
| 769L_ 16 X 3/4 | 16 | 3/4 | 12.7 | 1 1/16 | 27.0 | 29.7 | 39.8 | 36.8 | 24.4 |
| 769L_ 18 X 1/2 | 18 | 1/2 | 11.9 | 1 1/16 | 27.0 | 29.7 | 39.8 | 36.8 | 24.4 |
| 769L_ 18 X 3/4 | 18 | 3/4 | 15.1 | 1 1/16 | 27.0 | 29.7 | 39.8 | 36.8 | 24.4 |
| 769L_ 20 X 1/2 | 20 | 1/2 | 11.9 | 1 3/8 | 34.9 | 34.5 | 44.6 | 41.7 | 26.0 |
| 769L_ 20 X 3/4 | 20 | 3/4 | 15.9 | 1 3/8 | 34.9 | 34.5 | 44.6 | 41.7 | 26.0 |
| 769L_ 22 X 3/4 | 22 | 3/4 | 15.9 | 1 3/8 | 34.9 | 34.5 | 44.6 | 41.7 | 26.0 |
| 769L_ 22 X 1 | 22 | 1 | 18.3 | 1 3/8 | 34.9 | 34.5 | 44.6 | 46.5 | 26.0 |
| 769L_ 25 X 3/4 | 25 | 3/4 | 15.9 | 1 3/8 | 34.9 | 36.8 | 49.1 | 41.7 | 31.3 |
| 769L_ 25 X 1 | 25 | 1 | 21.8 | 1 3/8 | 34.9 | 36.8 | 49.1 | 46.5 | 31.3 |
| 769L_ 38 X 1 1/2 | *38 | 1 1/2 | 33.7 | - | 55.0 | 56.4 | 84.0 | 60.4 | 49.4 |

* Including low friction paste, see page 91

"D" - Dimension is minimum opening. Dimensions are for reference only, and are subject to change without notice.

769 L MALE ELBOW

(Cont'd)



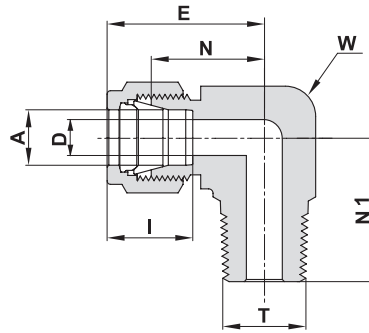
TUBE (INCH) MALE NPT THREAD

| Ordering Information | A Tube O.D. | | T (NPT) | D | | W Wrench Flat | | N | | E | | N1 | | I | |
|----------------------|----------------|-------|------------|------|-------|------------------|------|------|-------|------|--------|------|-------|------|------|
| | inch | mm | inch | inch | mm | inch | mm | inch | mm | inch | mm | inch | mm | inch | mm |
| 769L _ 1/16 X 1/16 | 1/16 | 1.58 | 1/16 | .05 | 1.27 | 7/16 | 11.1 | .60 | 15.24 | .75 | 19.05 | .70 | 17.78 | .34 | 8.6 |
| 769L _ 1/16 X 1/8 | 1/16 | 1.58 | 1/8 | .05 | 1.27 | 7/16 | 11.1 | .60 | 15.24 | .75 | 19.05 | .70 | 17.78 | .34 | 8.6 |
| 769L _ 1/8 X 1/16 | 1/8 | 3.17 | 1/16 | .09 | 2.28 | 7/16 | 11.1 | .67 | 17.02 | .93 | 23.62 | .70 | 17.78 | .50 | 12.7 |
| 769L _ 1/8 X 1/8 | 1/8 | 3.17 | 1/8 | .09 | 2.28 | 7/16 | 11.1 | .67 | 17.02 | .93 | 23.62 | .70 | 17.78 | .50 | 12.7 |
| 769L _ 1/8 X 1/4 | 1/8 | 3.17 | 1/4 | .09 | 2.28 | 1/2 | 12.7 | .71 | 18.03 | .97 | 24.64 | .92 | 23.37 | .50 | 12.7 |
| 769L _ 3/16 X 1/8 | 3/16 | 4.76 | 1/8 | .12 | 3.04 | 1/2 | 12.7 | .74 | 18.80 | 1.00 | 25.40 | .74 | 18.80 | .54 | 13.7 |
| 769L _ 3/16 X 1/4 | 3/16 | 4.76 | 1/4 | .12 | 3.04 | 1/2 | 12.7 | .74 | 18.80 | 1.00 | 25.40 | .92 | 23.37 | .54 | 13.7 |
| 769L _ 1/4 X 1/16 | 1/4 | 6.35 | 1/16 | .12 | 3.04 | 1/2 | 12.7 | .77 | 19.56 | 1.06 | 26.92 | .74 | 18.80 | .60 | 15.2 |
| 769L _ 1/4 X 1/8 | 1/4 | 6.35 | 1/8 | .19 | 4.82 | 1/2 | 12.7 | .77 | 19.56 | 1.06 | 26.92 | .74 | 18.80 | .60 | 15.2 |
| 769L _ 1/4 X 1/4 | 1/4 | 6.35 | 1/4 | .19 | 4.82 | 1/2 | 12.7 | .77 | 19.56 | 1.06 | 26.92 | .92 | 23.37 | .60 | 15.2 |
| 769L _ 1/4 X 3/8 | 1/4 | 6.35 | 3/8 | .19 | 4.82 | 11/16 | 17.5 | .88 | 22.35 | 1.17 | 29.71 | 1.03 | 26.16 | .60 | 15.2 |
| 769L _ 1/4 X 1/2 | 1/4 | 6.35 | 1/2 | .19 | 4.82 | 13/16 | 20.6 | .96 | 24.38 | 1.25 | 31.75 | 1.30 | 33.02 | .60 | 15.2 |
| 769L _ 5/16 X 1/8 | 5/16 | 7.93 | 1/8 | .19 | 4.82 | 9/16 | 14.3 | .84 | 21.34 | 1.13 | 28.70 | .78 | 19.81 | .64 | 16.2 |
| 769L _ 5/16 X 1/4 | 5/16 | 7.93 | 1/4 | .25 | 6.35 | 9/16 | 14.3 | .84 | 21.34 | 1.13 | 28.70 | .96 | 24.38 | .64 | 16.2 |
| 769L _ 5/16 X 3/8 | 5/16 | 7.93 | 3/8 | .25 | 6.35 | 11/16 | 17.5 | .91 | 23.11 | 1.20 | 30.48 | 1.03 | 26.16 | .64 | 16.2 |
| 769L _ 3/8 X 1/8 | 3/8 | 9.52 | 1/8 | .19 | 4.82 | 5/8 | 15.9 | .91 | 23.11 | 1.20 | 30.48 | .82 | 20.83 | .66 | 16.8 |
| 769L _ 3/8 X 1/4 | 3/8 | 9.52 | 1/4 | .28 | 7.11 | 5/8 | 15.9 | .91 | 23.11 | 1.20 | 30.48 | 1.00 | 25.40 | .66 | 16.8 |
| 769L _ 3/8 X 3/8 | 3/8 | 9.52 | 3/8 | .28 | 7.11 | 11/16 | 17.5 | .94 | 23.87 | 1.23 | 31.24 | 1.03 | 26.16 | .66 | 16.8 |
| 769L _ 3/8 X 1/2 | 3/8 | 9.52 | 1/2 | .28 | 7.11 | 13/16 | 20.6 | 1.02 | 25.90 | 1.31 | 33.28 | 1.30 | 33.02 | .66 | 16.8 |
| 769L _ 3/8 X 3/4 | 3/8 | 9.52 | 3/4 | .28 | 7.11 | 1 1/16 | 27.0 | 1.17 | 29.71 | 1.46 | 37.08 | 1.45 | 36.83 | .66 | 16.8 |
| 769L _ 1/2 X 1/4 | 1/2 | 12.70 | 1/4 | .28 | 7.11 | 13/16 | 20.6 | 1.02 | 25.90 | 1.42 | 36.07 | 1.11 | 28.19 | .90 | 22.9 |
| 769L _ 1/2 X 3/8 | 1/2 | 12.70 | 3/8 | .38 | 9.50 | 13/16 | 20.6 | 1.02 | 25.90 | 1.42 | 36.07 | 1.11 | 28.19 | .90 | 22.9 |
| 769L _ 1/2 X 1/2 | 1/2 | 12.70 | 1/2 | .41 | 10.41 | 13/16 | 20.6 | 1.02 | 25.90 | 1.42 | 36.07 | 1.30 | 33.02 | .90 | 22.9 |
| 769L _ 1/2 X 3/4 | 1/2 | 12.70 | 3/4 | .41 | 10.41 | 1 1/16 | 27.0 | 1.17 | 29.71 | 1.57 | 39.88 | 1.45 | 36.83 | .90 | 22.9 |
| 769L _ 5/8 X 3/8 | 5/8 | 15.87 | 3/8 | .38 | 9.61 | 15/16 | 23.8 | 1.10 | 27.94 | 1.50 | 38.10 | 1.19 | 30.23 | .96 | 24.4 |
| 769L _ 5/8 X 1/2 | 5/8 | 15.87 | 1/2 | .47 | 11.94 | 15/16 | 23.8 | 1.10 | 27.94 | 1.50 | 38.10 | 1.38 | 35.05 | .96 | 24.4 |
| 769L _ 5/8 X 3/4 | 5/8 | 15.87 | 3/4 | .50 | 12.70 | 1 1/16 | 27.0 | 1.17 | 29.71 | 1.57 | 39.88 | 1.45 | 36.83 | .96 | 24.4 |
| 769L _ 3/4 X 1/2 | 3/4 | 19.05 | 1/2 | .47 | 11.94 | 1 1/16 | 27.0 | 1.17 | 29.71 | 1.57 | 39.88 | 1.45 | 36.83 | .96 | 24.4 |
| 769L _ 3/4 X 3/4 | 3/4 | 19.05 | 3/4 | .62 | 15.74 | 1 1/16 | 27.0 | 1.17 | 29.71 | 1.57 | 39.88 | 1.45 | 36.83 | .96 | 24.4 |
| 769L _ 7/8 X 3/4 | 7/8 | 22.22 | 3/4 | .62 | 15.74 | 1 3/8 | 34.9 | 1.36 | 34.54 | 1.76 | 44.70 | 1.64 | 41.66 | 1.02 | 25.9 |
| 769L _ 1 X 3/4 | 1 | 25.40 | 3/4 | .62 | 15.74 | 1 3/8 | 34.9 | 1.45 | 36.83 | 1.93 | 49.02 | 1.64 | 41.66 | 1.23 | 31.2 |
| 769L _ 1 X 1 | 1 | 25.40 | 1 | .86 | 21.84 | 1 3/8 | 34.9 | 1.45 | 36.83 | 1.93 | 49.02 | 1.83 | 46.48 | 1.23 | 31.2 |
| 769L _ 1 1/4 X 1 1/4 | *1 1/4 | 31.75 | 1 1/4 | 1.09 | 27.70 | 1 11/16 | 42.9 | 1.75 | 44.45 | 2.62 | 66.50 | 1.88 | 47.75 | 1.62 | 41.2 |
| 769L _ 1 1/2 X 1 1/2 | *1 1/2 | 38.10 | 1 1/2 | 1.34 | 34.00 | 2 | 50.8 | 2.00 | 50.80 | 3.07 | 78.00 | 2.38 | 60.45 | 1.97 | 50.0 |
| 769L _ 2 X 2 | *2 | 50.80 | 2 | 1.81 | 45.97 | 2 3/4 | 69.9 | 2.75 | 69.85 | 4.22 | 107.19 | 2.78 | 70.61 | 2.66 | 67.6 |

* Including low friction paste, see page 91

"D" - Dimension is minimum opening. Dimensions are for reference only, and are subject to change without notice.

769 LR MALE ELBOW



TUBE (METRIC) ISO TAPERED THREAD

| Ordering Information | A Tube O.D. | T (ISO) | D | W Wrench Flat | | N | E | N1 | I |
|----------------------|----------------|------------|------|------------------|------|------|------|------|------|
| | mm | inch | mm | inch | mm | mm | mm | mm | mm |
| 769LR_ 3 X 1/8 | 3 | R-1/8 | 2.4 | 7/16 | 11.1 | 17.0 | 23.6 | 17.8 | 12.9 |
| 769LR_ 3 X 1/4 | 3 | R-1/4 | 2.4 | 1/2 | 12.7 | 18.0 | 24.6 | 23.4 | 12.9 |
| 769LR_ 4 X 1/8 | 4 | R-1/8 | 2.4 | 1/2 | 12.7 | 18.8 | 25.4 | 18.8 | 13.7 |
| 769LR_ 4 X 1/4 | 4 | R-1/4 | 2.4 | 1/2 | 12.7 | 18.8 | 25.4 | 23.4 | 13.7 |
| 769LR_ 6 X 1/8 | 6 | R-1/8 | 4.8 | 1/2 | 12.7 | 19.6 | 27.0 | 18.8 | 15.3 |
| 769LR_ 6 X 1/4 | 6 | R-1/4 | 4.8 | 1/2 | 12.7 | 19.6 | 27.0 | 23.4 | 15.3 |
| 769LR_ 6 X 3/8 | 6 | R-3/8 | 4.8 | 11/16 | 17.5 | 22.4 | 29.8 | 26.2 | 15.3 |
| 769LR_ 6 X 1/2 | 6 | R-1/2 | 4.8 | 13/16 | 20.6 | 24.4 | 31.8 | 33.0 | 15.3 |
| 769LR_ 8 X 1/8 | 8 | R-1/8 | 4.8 | 9/16 | 14.3 | 21.3 | 28.8 | 19.8 | 16.2 |
| 769LR_ 8 X 1/4 | 8 | R-1/4 | 6.4 | 9/16 | 14.3 | 21.3 | 28.8 | 24.4 | 16.2 |
| 769LR_ 8 X 3/8 | 8 | R-3/8 | 6.4 | 11/16 | 17.5 | 23.1 | 30.6 | 26.2 | 16.2 |
| 769LR_ 8 X 1/2 | 8 | R-1/2 | 6.4 | 13/16 | 20.6 | 25.1 | 32.6 | 33.0 | 16.2 |
| 769LR_ 10 X 1/8 | 10 | R-1/8 | 4.8 | 11/16 | 17.5 | 23.9 | 31.5 | 21.6 | 17.2 |
| 769LR_ 10 X 1/4 | 10 | R-1/4 | 7.1 | 11/16 | 17.5 | 23.9 | 31.5 | 26.2 | 17.2 |
| 769LR_ 10 X 3/8 | 10 | R-3/8 | 7.9 | 11/16 | 17.5 | 23.9 | 31.5 | 26.2 | 17.2 |
| 769LR_ 10 X 1/2 | 10 | R-1/2 | 7.9 | 13/16 | 20.6 | 25.9 | 33.5 | 33.0 | 17.2 |
| 769LR_ 12 X 1/8 | 12 | R-1/8 | 4.8 | 13/16 | 20.6 | 25.9 | 36.0 | 23.6 | 22.8 |
| 769LR_ 12 X 1/4 | 12 | R-1/4 | 7.1 | 13/16 | 20.6 | 25.9 | 36.0 | 28.2 | 22.8 |
| 769LR_ 12 X 3/8 | 12 | R-3/8 | 9.5 | 13/16 | 20.6 | 25.9 | 36.0 | 28.2 | 22.8 |
| 769LR_ 12 X 1/2 | 12 | R-1/2 | 9.5 | 13/16 | 20.6 | 25.9 | 36.0 | 33.0 | 22.8 |
| 769LR_ 12 X 3/4 | 12 | R-3/4 | 9.5 | 1 1/16 | 27.0 | 29.7 | 39.8 | 36.8 | 22.8 |
| 769LR_ 14 X 1/2 | 14 | R-1/2 | 11.0 | 15/16 | 23.8 | 27.9 | 38.0 | 35.0 | 24.4 |
| 769LR_ 15 X 1/2 | 15 | R-1/2 | 11.9 | 15/16 | 23.8 | 27.9 | 38.0 | 35.1 | 24.4 |
| 769LR_ 16 X 3/8 | 16 | R-3/8 | 9.5 | 15/16 | 23.8 | 27.9 | 38.0 | 30.2 | 24.4 |
| 769LR_ 16 X 1/2 | 16 | R-1/2 | 11.9 | 15/16 | 23.8 | 27.9 | 38.0 | 35.1 | 24.4 |
| 769LR_ 18 X 1/2 | 18 | R-1/2 | 11.9 | 1 1/16 | 27.0 | 29.7 | 39.8 | 36.8 | 24.4 |
| 769LR_ 18 X 3/4 | 18 | R-3/4 | 15.1 | 1 1/16 | 27.0 | 29.7 | 39.8 | 36.8 | 24.4 |
| 769LR_ 20 X 1/2 | 20 | R-1/2 | 11.9 | 1 3/8 | 34.9 | 34.5 | 44.6 | 41.7 | 26.0 |
| 769LR_ 20 X 3/4 | 20 | R-3/4 | 15.9 | 1 3/8 | 34.9 | 34.5 | 44.6 | 41.7 | 26.0 |
| 769LR_ 22 X 3/4 | 22 | R-3/4 | 15.9 | 1 3/8 | 34.9 | 34.5 | 44.6 | 41.7 | 26.0 |
| 769LR_ 22 X 1 | 22 | R -1 | 18.3 | 1 3/8 | 34.9 | 34.5 | 44.6 | 46.5 | 26.0 |
| 769LR_ 25 X 3/4 | 25 | R-3/4 | 15.9 | 1 3/8 | 34.9 | 36.8 | 49.1 | 41.7 | 31.3 |
| 769LR_ 25 X 1 | 25 | R -1 | 21.8 | 1 3/8 | 34.9 | 36.8 | 49.1 | 46.5 | 31.3 |

Reference Specifications:

DIN - 2999

BS - 21

JIS - B0203

ISO - 7/1-BSP-T

Designation:

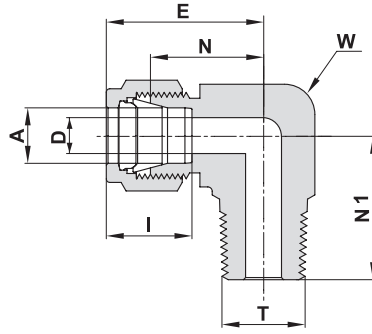
Marking LR on Flat

"D" - Dimension is minimum opening. Dimensions are for reference only, and are subject to change without notice.

Cont'd next page

769 LR MALE ELBOW

(Cont'd)



TUBE (INCH) ISO TAPERED THREAD

| Ordering Information | A Tube O.D. | | T (ISO) | D | | W Wrench Flat | | N | | E | | N1 | | I | |
|----------------------|----------------|-------|------------|------|-------|------------------|------|------|-------|------|-------|------|-------|------|------|
| | inch | mm | inch | inch | mm | inch | mm | inch | mm | inch | mm | inch | mm | inch | mm |
| 769LR_ 1/8 X 1/8 | 1/8 | 3.17 | R-1/8 | .09 | 2.28 | 7/16 | 11.1 | .67 | 17.02 | .93 | 23.62 | .70 | 17.78 | .50 | 12.7 |
| 769LR_ 1/8 X 1/4 | 1/8 | 3.17 | R-1/4 | .09 | 2.28 | 1/2 | 12.7 | .71 | 18.03 | .97 | 24.64 | .92 | 23.37 | .50 | 12.7 |
| 769LR_ 1/4 X 1/8 | 1/4 | 6.35 | R-1/8 | .19 | 4.82 | 1/2 | 12.7 | .77 | 19.56 | 1.06 | 26.92 | .74 | 18.80 | .60 | 15.2 |
| 769LR_ 1/4 X 1/4 | 1/4 | 6.35 | R-1/4 | .19 | 4.82 | 1/2 | 12.7 | .77 | 19.56 | 1.06 | 26.92 | .92 | 23.37 | .60 | 15.2 |
| 769LR_ 1/4 X 3/8 | 1/4 | 6.35 | R-3/8 | .19 | 4.82 | 11/16 | 17.5 | .88 | 22.35 | 1.17 | 29.71 | 1.03 | 26.16 | .60 | 15.2 |
| 769LR_ 1/4 X 1/2 | 1/4 | 6.35 | R-1/2 | .19 | 4.82 | 13/16 | 20.6 | .96 | 24.38 | 1.25 | 31.75 | 1.30 | 33.02 | .60 | 15.2 |
| 769LR_ 5/16 X 1/4 | 5/16 | 7.93 | R-1/4 | .25 | 6.35 | 9/16 | 14.3 | .84 | 21.34 | 1.13 | 28.70 | .96 | 24.38 | .64 | 16.2 |
| 769LR_ 3/8 X 1/8 | 3/8 | 9.52 | R-1/8 | .19 | 4.82 | 5/8 | 15.9 | .91 | 23.11 | 1.20 | 30.48 | .82 | 20.83 | .66 | 16.8 |
| 769LR_ 3/8 X 1/4 | 3/8 | 9.52 | R-1/4 | .28 | 7.11 | 5/8 | 15.9 | .91 | 23.11 | 1.20 | 30.48 | 1.00 | 25.40 | .66 | 16.8 |
| 769LR_ 3/8 X 3/8 | 3/8 | 9.52 | R-3/8 | .28 | 7.11 | 11/16 | 17.5 | .94 | 23.87 | 1.23 | 31.24 | 1.03 | 26.16 | .66 | 16.8 |
| 769LR_ 1/2 X 1/4 | 1/2 | 12.70 | R-1/4 | .28 | 7.11 | 13/16 | 20.6 | 1.02 | 25.90 | 1.42 | 36.07 | 1.11 | 28.19 | .90 | 22.9 |
| 769LR_ 1/2 X 3/8 | 1/2 | 12.70 | R-3/8 | .38 | 9.50 | 13/16 | 20.6 | 1.02 | 25.90 | 1.42 | 36.07 | 1.11 | 28.19 | .90 | 22.9 |
| 769LR_ 1/2 X 1/2 | 1/2 | 12.70 | R-1/2 | .41 | 10.41 | 13/16 | 20.6 | 1.02 | 25.90 | 1.42 | 36.07 | 1.30 | 33.02 | .90 | 22.9 |
| 769LR_ 3/4 X 1/2 | 3/4 | 19.05 | R-1/2 | .47 | 11.94 | 1 1/16 | 27.0 | 1.17 | 29.71 | 1.57 | 39.88 | 1.45 | 36.83 | .96 | 24.4 |
| 769LR_ 1 X 1 | 1 | 25.40 | R-1 | .86 | 21.84 | 1 3/8 | 34.9 | 1.45 | 36.83 | 1.93 | 49.02 | 1.83 | 46.48 | 1.23 | 31.2 |

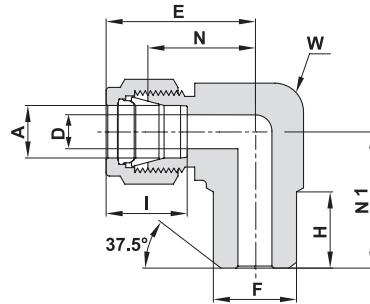
Reference Specifications:

DIN - 2999
BS - 21
JIS - B0203
ISO - 7/1-BSP-T

Designation:

Marking LR on Flat

769 LN MALE PIPE WELD ELBOW



TUBE (INCH)

| Ordering Information | A Tube O.D. | | F Pipe Size | D | | W Wrench Flat | | N | | H | E | | N1 | | I | | | |
|----------------------|----------------|-------|----------------|-------|-----|------------------|--------|------|------|-------|-----|-------|------|-------|------|-------|-----|------|
| | inch | mm | inch | inch | mm | inch | mm | inch | mm | inch | mm | inch | mm | inch | mm | | | |
| 769LN_ 1/4 X 1/8 | 1/4 | 6.35 | 1/8 | 10.30 | .19 | 4.82 | 1/2 | 12.7 | .77 | 19.56 | .38 | 9.65 | 1.06 | 26.92 | .74 | 18.8 | .60 | 15.2 |
| 769LN_ 1/4 X 1/4 | 1/4 | 6.35 | 1/4 | 13.70 | .19 | 4.82 | 1/2 | 12.7 | .77 | 19.56 | .56 | 14.22 | 1.06 | 26.92 | .92 | 23.37 | .60 | 15.2 |
| 769LN_ 3/8 X 1/4 | 3/8 | 9.52 | 1/4 | 13.70 | .28 | 7.11 | 5/8 | 15.9 | .91 | 23.11 | .56 | 14.22 | 1.20 | 30.48 | 1.00 | 25.40 | .66 | 16.8 |
| 769LN_ 1/2 X 1/2 | 1/2 | 12.70 | 1/2 | 21.34 | .41 | 10.41 | 13/16 | 20.6 | 1.02 | 25.90 | .75 | 19.05 | 1.42 | 36.06 | 1.30 | 33.02 | .90 | 22.9 |
| 769LN_ 3/4 X 3/4 | 3/4 | 19.05 | 3/4 | 26.67 | .62 | 15.75 | 1 1/16 | 27.0 | 1.17 | 29.72 | .75 | 19.05 | 1.57 | 39.88 | 1.45 | 36.83 | .96 | 24.4 |

Designation:

Marking LN on Flat

"D" - Dimension is minimum opening. Dimensions are for reference only, and are subject to change without notice.