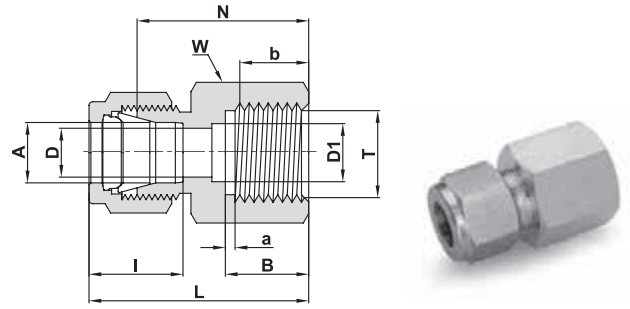


766 LG FEMALE CONNECTOR



TUBE (METRIC) TO FEMALE ISO PARALLEL THREAD

Ordering Information	A Tube O.D.		T (ISO)	D		D1		W Hex. Flat	B		b Min		a Min		N	L		I
	mm	inch	inch	mm	mm	mm	mm	mm	mm	mm	mm	mm	mm	mm	mm	mm	mm	
766LG _ 3 X 1/4	3		G-1/4	2.4		5.5		19	13.0		9.5		1.6	28.7	35.3		12.9	
766LG _ 6 X 1/8	6		G-1/8	4.0		4.0		14	10.0		7.0		1.6	25.0	32.4		15.3	
766LG _ 6 X 1/4	6		G-1/4	4.8		5.5		19	13.0		9.5		1.6	30.2	37.6		15.3	
766LG _ 6 X 3/8	6		G-3/8	4.8		6.5		24	14.1		10.0		1.6	30.2	37.6		15.3	
766LG _ 6 X 1/2	6		G-1/2	4.8		7.0		27	19.0		15.0		1.6	36.1	43.5		15.3	
766LG _ 8 X 1/4	8		G-1/4	5.5		5.5		19	13.0		9.5		1.6	31.0	38.5		16.2	
766LG _ 8 X 3/8	8		G-3/8	6.4		6.4		24	14.1		10.0		1.6	28.7	36.2		16.2	
766LG _ 8 X 1/2	8		G-1/2	7.0		7.0		27	19.0		15.0		1.6	33.5	41.0		16.2	
766LG _ 10 X 1/4	10		G-1/4	5.5		5.5		19	13.0		9.5		1.6	31.8	39.4		17.2	
766LG _ 10 X 3/8	10		G-3/8	6.5		6.5		24	14.1		10.0		1.6	31.2	38.8		17.2	
766LG _ 10 X 1/2	10		G-1/2	7.0		7.0		27	19.0		15.0		1.6	34.5	42.1		17.2	
766LG _ 12 X 1/4	12		G-1/4	5.5		5.5		22	13.0		9.5		1.6	31.8	41.9		22.8	
766LG _ 12 X 3/8	12		G-3/8	6.5		6.5		24	14.1		10.0		1.6	34.3	44.4		22.8	
766LG _ 12 X 1/2	12		G-1/2	7.0		7.0		27	19.0		15.0		1.6	38.1	48.2		22.8	
766LG _ 20 X 1/2	20		G-1/2	7.0		7.0		30	19.0		15.0		1.6	44.2	54.3		26.0	
766LG _ 22 X 1/2	22		G-1/2	7.0		7.0		30	19.0		15.0		1.6	44.2	54.3		26.0	

TUBE (INCH) TO FEMALE ISO PARALLEL THREAD

Ordering Information	A Tube O.D.		T (ISO)	D		D1		W Hex. Flat	B		b Min		a Min		N	L		I		
	inch	mm	inch	inch	mm	inch	mm	inch	inch	mm	inch	mm	inch	mm	inch	mm	inch	mm		
766LG _ 1/8 X 1/4	1/8	3.17	G-1/4	.09	2.3	.22	5.5	3/4	.51	13.0	.37	9.5	.06	1.6	1.13	28.7	1.39	35.3	.50	12.7
766LG _ 1/4 X 1/8	1/4	6.35	G-1/8	.16	4.0	.16	4.0	9/16	.40	10.0	.28	7.0	.06	1.6	.98	25.0	1.27	32.4	.60	15.2
766LG _ 1/4 X 1/4	1/4	6.35	G-1/4	.19	4.8	.22	5.5	3/4	.51	13.0	.37	9.5	.06	1.6	1.19	30.2	1.48	37.6	.60	15.2
766LG _ 1/4 X 3/8	1/4	6.35	G-3/8	.19	4.8	.26	6.5	15/16	.56	14.1	.39	10.0	.06	1.6	1.19	30.2	1.48	37.6	.60	15.2
766LG _ 1/4 X 1/2	1/4	6.35	G-1/2	.19	4.8	.28	7.0	1 1/16	.74	19.0	.59	15.0	.06	1.6	1.42	36.1	1.71	43.4	.60	15.2
766LG _ 5/16 X 1/4	5/16	7.93	G-1/4	.22	5.5	.22	5.5	3/4	.51	13.0	.37	9.5	.06	1.6	1.22	31.0	1.51	38.4	.64	16.2
766LG _ 5/16 X 1/2	5/16	7.93	G-1/2	.28	7.0	.28	7.0	1 1/16	.74	19.0	.59	15.0	.06	1.6	1.32	33.5	1.61	40.9	.64	16.2
766LG _ 3/8 X 1/4	3/8	9.52	G-1/4	.22	5.5	.22	5.5	3/4	.51	13.0	.37	9.5	.06	1.6	1.25	31.8	1.54	39.1	.66	16.8
766LG _ 3/8 X 3/8	3/8	9.52	G-3/8	.26	6.6	.26	6.6	15/16	.56	14.1	.39	10.0	.06	1.6	1.23	31.2	1.52	38.6	.66	16.8
766LG _ 3/8 X 1/2	3/8	9.52	G-1/2	.28	7.0	.28	7.0	1 1/16	.74	19.0	.59	15.0	.06	1.6	1.36	34.5	1.65	41.9	.66	16.8
766LG _ 1/2 X 3/8	1/2	12.7	G-3/8	.26	6.5	.26	6.5	15/16	.56	14.1	.39	10.0	.06	1.6	1.35	34.3	1.75	44.5	.90	22.9
766LG _ 1/2 X 1/2	1/2	12.7	G-1/2	.28	7.0	.28	7.0	1 1/16	.74	19.0	.59	15.0	.06	1.6	1.50	38.1	1.90	48.2	.90	22.9

Reference Specifications:

DIN -ISO 228/1
BS -2779
JIS -B0202
ISO -228/1-BSP-P

Designation:

Marking LG on Hex.

For Parallel Threads Sealing, see page 76

"D" - Dimension is minimum opening. Dimensions are for reference only, and are subject to change without notice.