

Flanges & Fittings - Weld Fittings

End Caps, End Cap Reducers & Ball Sockets



End Caps



MODEL NUMBER	TUBE OD	WALL THICKNESS	A
G-2W-050	1/2	0.050	0.32
G-2W-075	3/4	0.050	0.31
G-2W-100	1	0.060	0.43
G-2W-150	1 1/2	0.060	0.57
G-2W-200	2	0.060	0.75
G-2W-250	2 1/2	0.060	0.74
G-2W-300	3	0.074	0.67
G-2W-400	4	0.074	0.48
G-2W-450	4 1/2	0.060	0.48
G-2W-600	6	0.074	0.88
G-2W-800	8	0.074	0.83

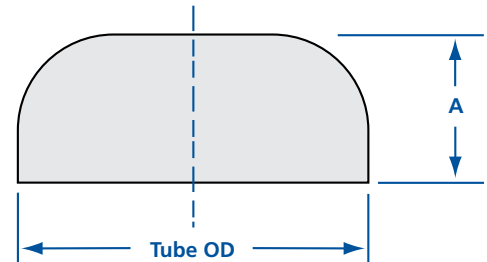
SPECIFICATIONS

Tube OD sizes: 1 to 8 inches

Materials: 304 or 316L stainless steel

Vacuum range: $\geq 1 \times 10^{-13}$ Torr

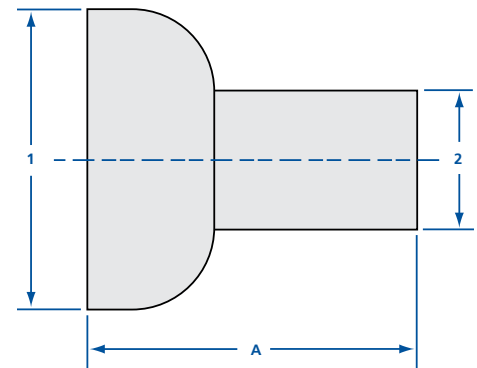
Temperature range: -200° to 450°C



End Cap Reducers



MODEL NUMBER	TUBE OD 1	TUBE OD 2	A
ECR-075-050	3/4	1/2	2.38
ECR-100-050	1	1/2	2.38
ECR-100-075	1	3/4	2.38
ECR-150-050	1 1/2	1/2	2.38
ECR-150-075	1 1/2	3/4	2.38
ECR-150-100	1 1/2	1	2.38
ECR-200-150	2	1 1/2	2.38
ECR-250-200	2 1/2	2	2.38
ECR-300-150	3	1 1/2	3.62
ECR-300-200	3	2	3.62
ECR-300-250	3	2 1/2	3.62
ECR-400-200-B	4	2	3.62
ECR-400-300-B	4	3	3.62
ECR-600-400-B	6	4	3.62
ECR-800-600-B	8	6	3.62



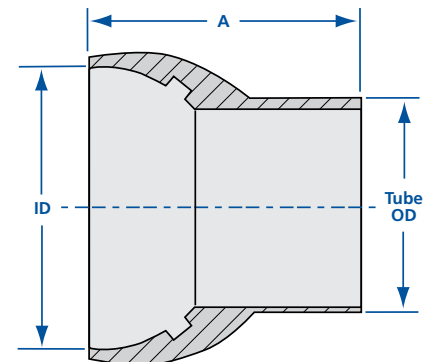
Other reducer combinations can be supplied upon request.

Ball Sockets



MODEL NUMBER	ID	TUBE OD	A	O-RING SIZE
BS-50/30	2.00	1 1/2	1.75	-
BS-50/30-G	2.00	1 1/2	1.75	2-224
BS-75/50	3.00	2	2.50	-
BS-75/50-G	3.00	2	2.50	2-232

Note: "G" suffix in model number indicates O-ring and O-ring groove are provided.



REV 6/16

